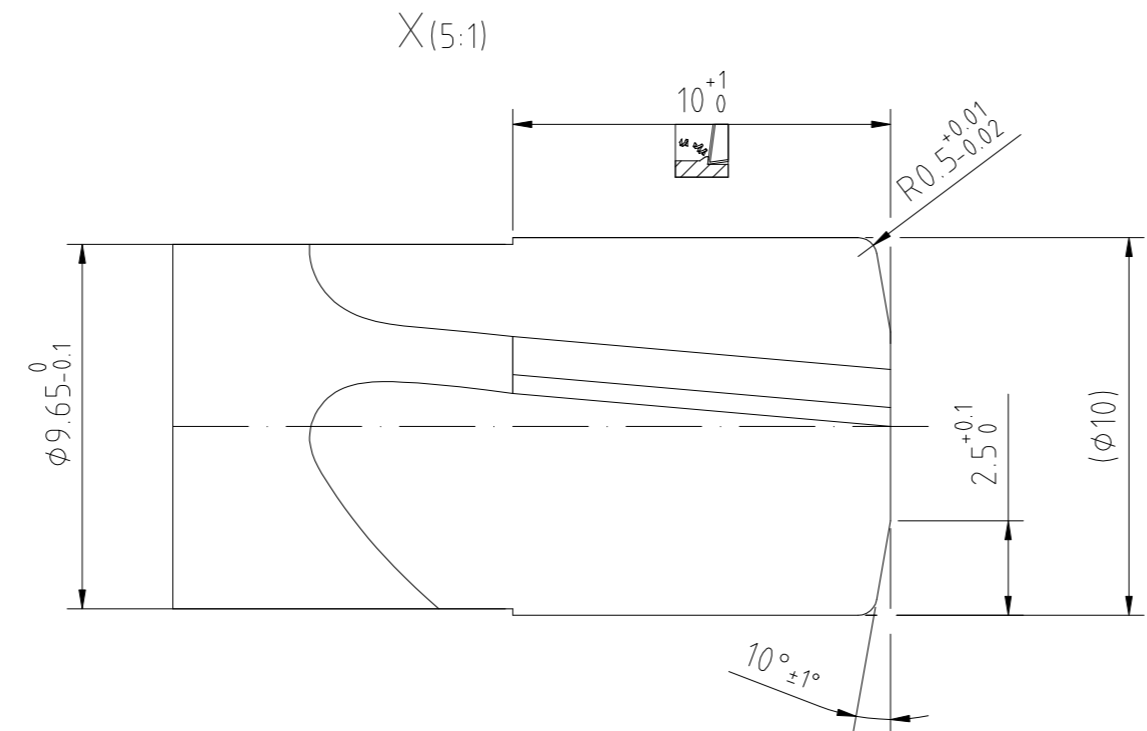


INDEX	CHANGES	DATE	NAME



NON TOLERANCED DIMENSIONS

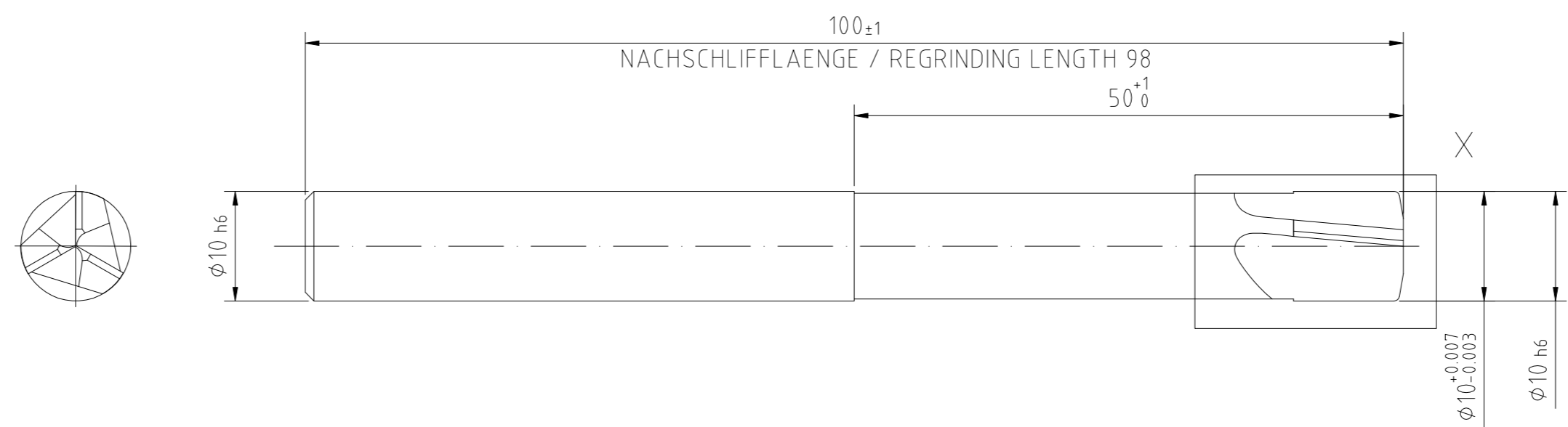
0.5	> 3	> 6	> 30	> 120	> 400
... 3	... 6	... 30	... 120	... 400	... 1000
± 0.1	± 0.1	± 0.2	± 0.3	± 0.5	± 0.8

RADII, CHAMFERS

± 0.2	± 0.5	± 1	± 1	± 1	± 1
-------	-------	-----	-----	-----	-----

ANGLES, DIM. OF THE SHORTER SIDE

bis 10	> 10	> 50	> 120	> 400
... 50	... 120	... 400		
± 1°	± 30'	± 20'	± 10'	± 5'



REGRINDING INFO	
TIP	●
OUTER DIAMETER	◐
FLUTE	◐
ADDING OF WORKING LENGTH	●
ADDING OF WORKING DIAMETER	●
DECOATING	○

● YES ◐ OPTIONAL ○ NO

MAPAL © FABRIK FUER PRAEZISIONSWERKZEUGE DR. KRESS KG	TITLE OPTIMILL-3D-HF, SHANKFORM HA, COATED	DATE OF ISSUE 2023-11-30	CREATED JG	DOCUMENT 608082736-000-01-ED1	FORMAT A2
<small>ALL RIGHTS FOR THE INVENTIONS, KNOW-HOW, TECHNICAL SOLUTIONS AND DESIGNS SHOWN ON THE DRAWING ARE ENTITLED TO MAPAL ONLY. AS FAR AS MAPAL DID NOT REGISTER PROPERTY RIGHTS HEREUPON YET, MAPAL FORMALLY RESERVES THE RIGHT FOR THE REGISTRATION OF PROPERTY RIGHTS. THE DRAWING AS WELL AS THE MATTERS SHOWN ARE STRICTLY CONFIDENTIAL. REPRODUCTIONS MAY ONLY BE MADE FOR THE PURPOSE AGREED UPON. NEITHER THIS DRAWING NOR COPIES THEREOF MAY BE MADE ACCESSIBLE TO THIRD PARTIES. WITH THE DELIVERY OF THIS DRAWING NO RIGHT TO USE IT FOR ANY PURPOSE IS GRANTED. VIOLATIONS AGAINST THE OBLIGATIONS TO SECRECY AND USE RESTRICTIONS WILL BE PROSECUTED.</small>	MAPAL Präzisionswerkzeuge Dr. Kress KG	DATE	APPROVED	MATERIAL NUMBER 31150911	INDEX 00
	GENERAL TOLERANCE ISO 2768-mH SIZE ISO 14.405-1	DIMENSIONS NOT SHOWN ARE MAPAL STANDARDS	SCALE 2:1	TECHNICAL SPECIFICATION MHF100-100-0850-5000X100-HP806	ORIGIN MED