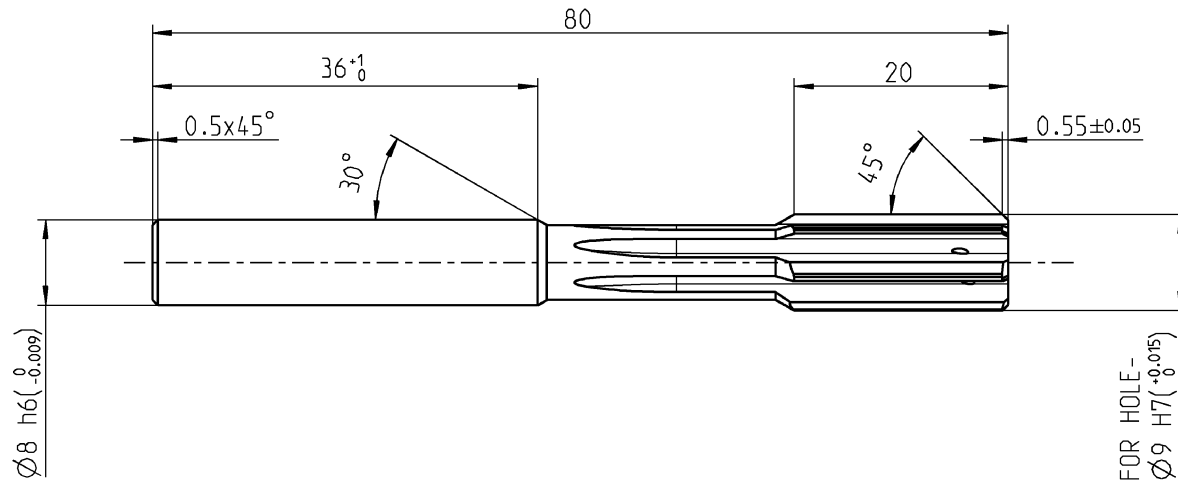


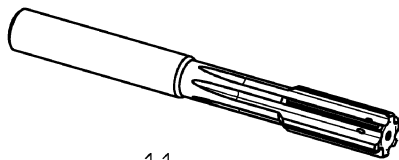
31375311 REAMER ~FXR50709.0H7MJ1G-HP900

6 CUTTING EDGE, STRAIGHT FLUTED, RIGHT HAND CUTTING

INDEX	CHANGES	DATE	NAME



IC FOR
THROUGH HOLE +
BLIND HOLE



1:1

PART	TYP	QUAN.	UT	MATERIAL NUMBER	DESCRIPTION	TECHNICAL SPECIFICATION	CUSTOMER NUMBER	
MAPAL ©					FABRIK FUER PRAEZISIONSWERKZEUGE DR. KRESS KG			
<small>ALL RIGHTS FOR THE INVENTIONS, KNOW-HOW, TECHNICAL SOLUTIONS AND DESIGNS SHOWN ON THE DRAWING ARE ENTITLED TO MAPAL ONLY. AS FAR AS MAPAL DID NOT REGISTER PROPERTY RIGHTS HEREUPON YET, MAPAL FORMALLY RESERVES THE RIGHT FOR THE REGISTRATION OF PROPERTY RIGHTS. THE DRAWING AS WELL AS THE MATTERS SHOWN ARE STRICTLY CONFIDENTIAL. REPRODUCTIONS MAY ONLY BE MADE FOR THE PURPOSE AGREED UPON. NEITHER THIS DRAWING NOR COPIES THEREOF MAY BE MADE ACCESSIBLE TO THIRD PARTIES. WITH THE DELIVERY OF THIS DRAWING NO RIGHT TO USE IT FOR ANY PURPOSE IS GRANTED. VIOLATIONS AGAINST THE OBLIGATIONS TO SECRECY AND USE RESTRICTIONS WILL BE PROSECUTED.</small>					TITLE FIXREAM PLUS. SOLID CARBIDE. COATED		FORMAT A3	
MAPAL Präzisionswerkzeuge Dr. Kress KG					DATE OF ISSUE 2023-11-10	CREATED GAT	DOCUMENT 608016504-000-00-ED1	INDEX 00
					DATE	APPROVED	MATERIAL NUMBER 31375311	ORIGIN WID
GENERAL TOLERANCE ISO 2768-FH SIZE ISO 14405-1 ©					DIMENSIONS NOT SHOWN ARE MAPAL STANDARDS	SCALE 2:1	TECHNICAL SPECIFICATION FXR50709.0H7MJ1G-HP900	SHEET 1/1

608016504-000-00-ED1 / WID / 30 / Gültig / 17.04.2024 / GANBERT