



MEGA-DRILL-STEEL-PLUS

28.415° HELICAL FLUTET AT Ø15.00

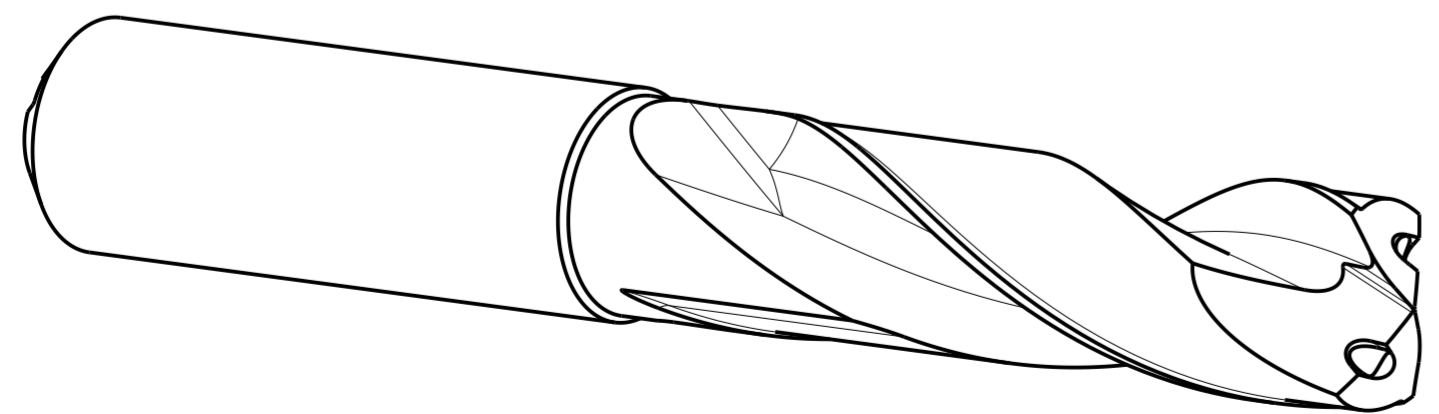
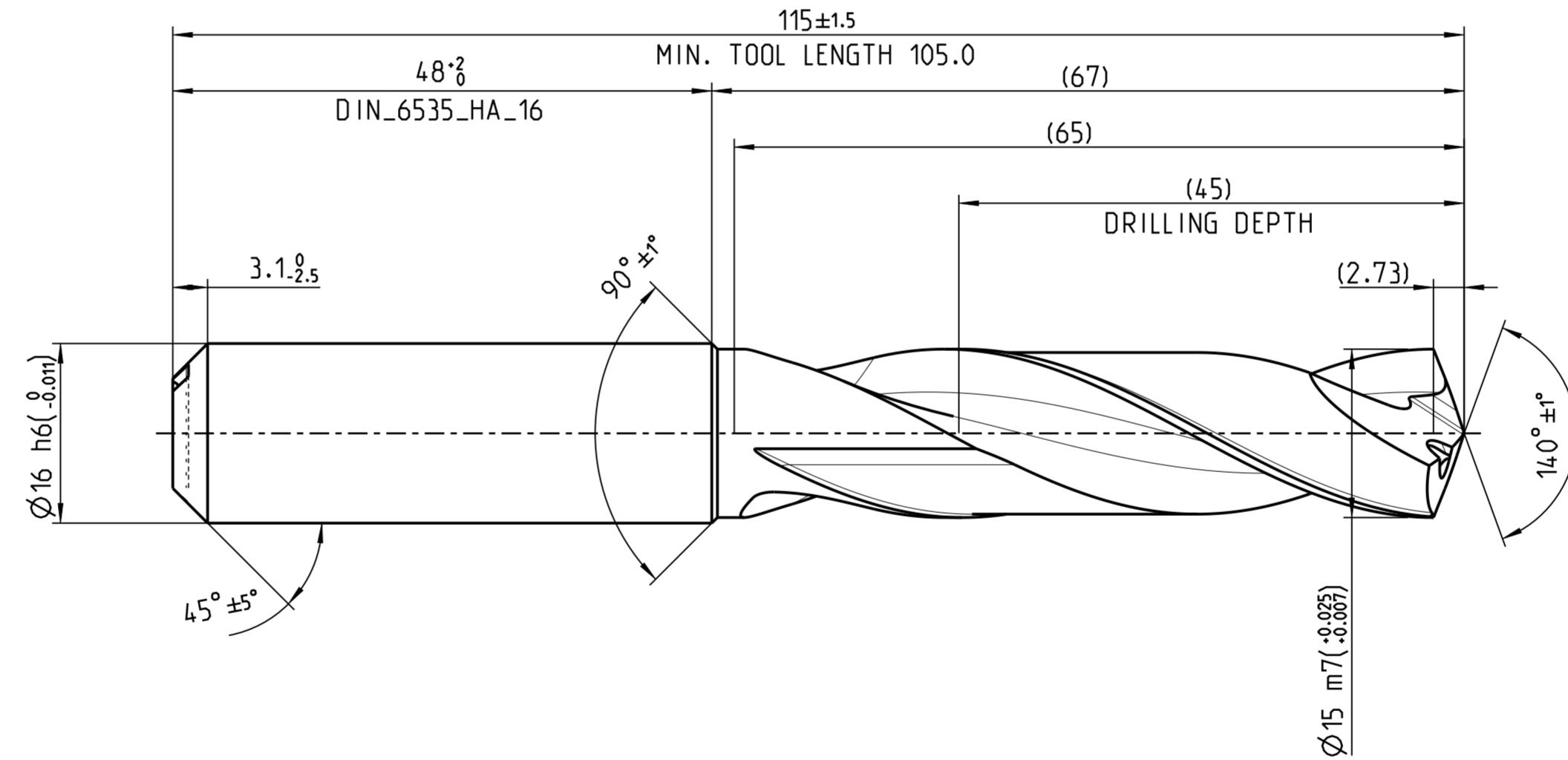
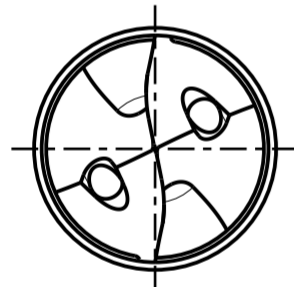
CUT
MAT

HP358

MAT

P/K/H

INDEX	CHANGES	DATE	NAME



MASSE
C.A. 0.237 kg

MAPAL © FABRIK FUER PRAEZISIONSWERKZEUGE DR. KRESS KG <small>ALL RIGHTS FOR THE INVENTIONS, KNOW-HOW, TECHNICAL SOLUTIONS AND DESIGNS SHOWN ON THE DRAWING ARE ENTITLED TO MAPAL ONLY. AS FAR AS MAPAL DID NOT REGISTER PROPERTY RIGHTS HEREUPON YET, MAPAL FORMALLY RESERVES THE RIGHT FOR THE REGISTRATION OF PROPERTY RIGHTS. THE DRAWING AS WELL AS THE MATTERS SHOWN ARE STRICTLY CONFIDENTIAL. REPRODUCTIONS MAY ONLY BE MADE FOR THE PURPOSE AGREED UPON. NEITHER THIS DRAWING NOR COPIES THEREOF MAY BE MADE ACCESSIBLE TO THIRD PARTIES. WITH THE DELIVERY OF THIS DRAWING NO RIGHT TO USE IT FOR ANY PURPOSE IS GRANTED. VIOLATIONS AGAINST THE OBLIGATIONS TO SECURE AND USE RESTRICTIONS WILL BE PROSECUTED.</small>		TITLE MEGA-DRILL-STEEL-PLUS. SHANKFORM HAK. COATED			FORMAT A2
MAPAL Präzisionswerkzeuge Dr. Kress KG	DATE OF ISSUE 2025-03-18	CREATED DESIGN A.	DOCUMENT 607846301-000-00-ED1		INDEX 00
	DATE 	APPROVED 	MATERIAL NUMBER 30802239		ORIGIN ALD
GENERAL TOLERANCE ISO 2768-1H SIZE ISO 14405-1Ⓢ	DIMENSIONS NOT SHOWN ARE MAPAL STANDARDS		SCALE 2:1	TECHNICAL SPECIFICATION SCD601-1500-2-2-140HA03-HP358	
				SHEET 1/1	