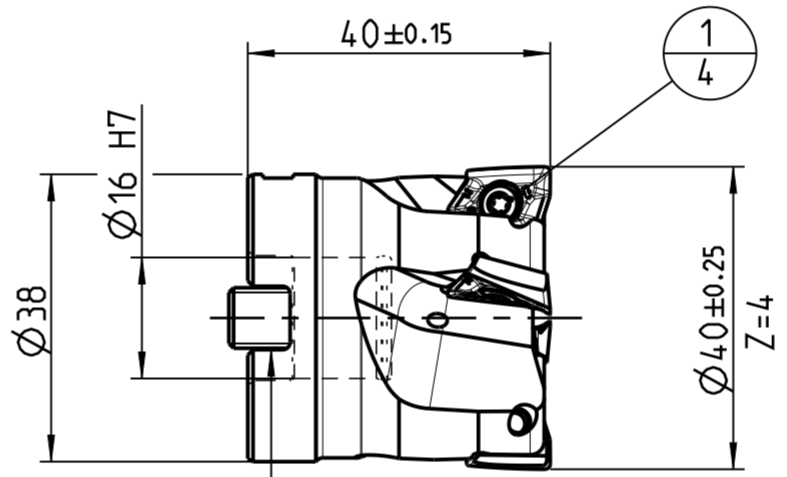
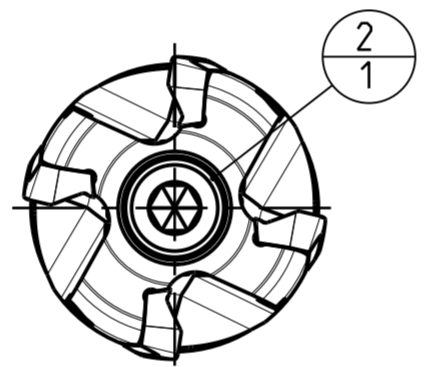
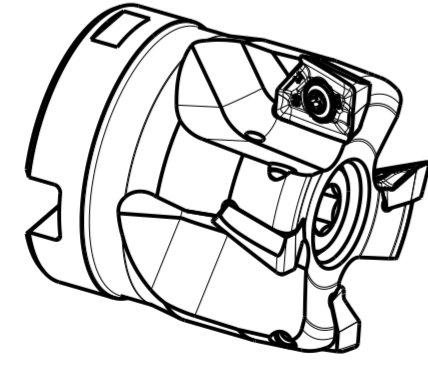


INDEX	CHANGES	DATE	NAME

DEBTOR NAME/CUSTOMER NAME: MAPAL DR. KRESS KG
 DEBTOR/CUSTOMER NO.: 400013
 SIMILAR
 SKETCH
 DESIGN ORDER NO.: 2100076659
 QUOTE: XPKT-FRAESER ST



GROOVE ACCORDING TO DIN138 A-16



BALANCE GRADE PER DIN ISO 21940-11
 G 6.3 / 3000 MIN⁻¹
 MASS APPROX. 0.2 kg

PART	TYP	QUAN.	UT	MATERIAL NUMBER	DESCRIPTION	TECHNICAL SPECIFICATION	CUSTOMER NUMBER			
2	1			10003638	SOCKET HEAD SCREW	ISO 4762-MBX30-12.9				
1	4			30979520	TORX-SCREW	MN659 M3.5X8.1-TX10-IP				
SCOPE OF DELIVERY INFORMATION						TIGHTENING TORQUE FOR MAPAL CLAMPING SCREWS PER MN678BL1				
INSERTS NOT INCLUDED										
MAPAL © FABRIK FUER PRAEZISIONSWERKZEUGE DR. KRESS KG					TITLE 90° FORM FACE CUTTER, INDEXABLE INSERTS		FORMAT A2			
ALL RIGHTS FOR THE INVENTIONS, KNOW-HOW, TECHNICAL SOLUTIONS AND DESIGNS SHOWN ON THE DRAWING ARE ENTITLED TO MAPAL ONLY. AS FAR AS MAPAL DID NOT REGISTER PROPERTY RIGHTS HEREUPON YET, MAPAL FORMALY RESERVES THE RIGHT FOR THE REGISTRATION OF PROPERTY RIGHTS. THE DRAWING AS WELL AS THE MATTERS SHOWN ARE STRICTLY CONFIDENTIAL. REPRODUCTIONS MAY ONLY BE MADE FOR THE PURPOSE AGREED UPON. NEITHER THIS DRAWING NOR COPIES THEREOF MAY BE MADE ACCESSIBLE TO THIRD PARTIES. WITH THE DELIVERY OF THIS DRAWING NO RIGHT TO USE IT FOR ANY PURPOSE IS GRANTED. VIOLATIONS AGAINST THE OBLIGATIONS TO SECRECY AND USE RESTRICTIONS WILL BE PROSECUTED.					MAPAL Präzisionswerkzeuge Dr. Kress KG		DATE OF ISSUE 2021-09-21	CREATED UNO	DOCUMENT 607613970-000-00-ED1	INDEX 00
					GENERAL TOLERANCE ISO 2768-IH SIZE ISO 14405-1		DIMENSIONS NOT SHOWN ARE MAPAL STANDARDS		SCALE 1:1	TECHNICAL SPECIFICATION ICM901-040-CA16-Z04R-XP_T11
							SHEET 1/1			