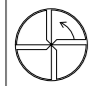
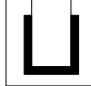
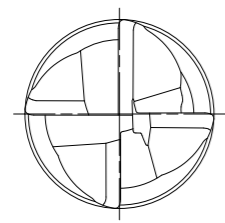
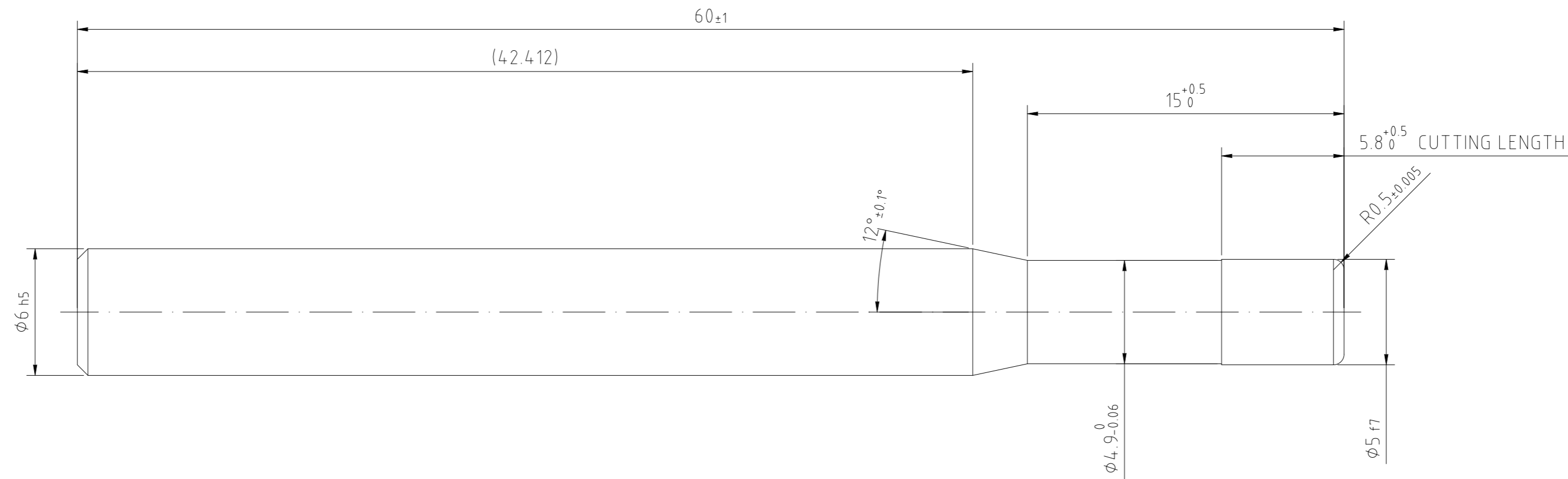


| INDEX | CHANGES | DATE | NAME |
|-------|---------|------|------|
| | | | |
| | | | |
| | | | |
| | | | |
| | | | |
| | | | |
| | | | |
| | | | |


| NON TOLERANCED DIMENSIONS | | | | |
|----------------------------------|---------|---------|---------|---------|
| 0.5 | > 3 | > 6 | > 30 | > 120 |
| ... 3 | ... 6 | ... 30 | ... 120 | ... 400 |
| ± 0.1 | ± 0.1 | ± 0.2 | ± 0.3 | ± 0.5 |
| RADIOI, CHAMFERS | | | | |
| ± 0.2 | ± 0.5 | ± 1 | ± 1 | ± 1 |
| ANGLES, DIM. OF THE SHORTER SIDE | | | | |
| bis 10 | > 10 | > 50 | > 120 | > 400 |
| ... 50 | ... 120 | ... 400 | | |
| ± 1° | ± 30' | ± 20' | ± 10' | ± 5' |

 OPTIMILL-3D-CR-HARDENED, Z=4
 HP808



| REGRINDING INFO | |
|----------------------------|-----------------------|
| TIP | <input type="radio"/> |
| OUTER DIAMETER | <input type="radio"/> |
| FLUTE | <input type="radio"/> |
| ADDING OF WORKING LENGTH | <input type="radio"/> |
| ADDING OF WORKING DIAMETER | <input type="radio"/> |
| DECOATING | <input type="radio"/> |

YES OPTIONAL NO

| | | | | | |
|---|--|-----------------------------|---|-----------------------------------|---------------|
| MAPAL © FABRIK FUER PRAEZISIONSWERKZEUGE DR. KRESS KG <small>ALL RIGHTS FOR THE INVENTIONS, KNOW-HOW, TECHNICAL SOLUTIONS AND DESIGNS SHOWN ON THE DRAWING ARE ENTITLED TO MAPAL ONLY. AS FAR AS MAPAL DID NOT REGISTER PROPERTY RIGHTS HEREUPON YET, MAPAL FORMALLY RESERVES THE RIGHT FOR THE REGISTRATION OF PROPERTY RIGHTS. THE DRAWING AS WELL AS THE MATTERS SHOWN ARE STRICTLY CONFIDENTIAL. REPRODUCTIONS MAY ONLY BE MADE FOR THE PURPOSE AGREED UPON. NEITHER THIS DRAWING NOR COPIES THEREOF MAY BE MADE ACCESSIBLE TO THIRD PARTIES. WITH THE DELIVERY OF THIS DRAWING NO RIGHT TO USE IT FOR ANY PURPOSE IS GRANTED. VIOLATIONS AGAINST THE OBLIGATIONS TO SECRECY AND USE RESTRICTIONS WILL BE PROSECUTED.</small> | TITLE OPTIMILL-3D-CR-HARDENED, SHANKFORM HA, SC, COATED | DATE OF ISSUE 2021-11-25 | CREATED MF | DOCUMENT 6074.08772-000-01-ED1 | INDEX 00 |
| GENERAL TOLERANCE ISO 2768-mH SIZE ISO 14.405-1 | DIMENSIONS NOT SHOWN ARE MAPAL STANDARDS | DATE | APPROVED | MATERIAL NUMBER 31154736 | ORIGIN AAD |
|  | MAPAL Präzisionswerkzeuge Dr. Kress KG | SCALE 5:1 | TECHNICAL SPECIFICATION MCR109-050-0050-1500X060-HP808 | SHEET 1/1 | FORMAT A2 |