

A

B

C

D

E

F

G

H

A

B

C

D

E

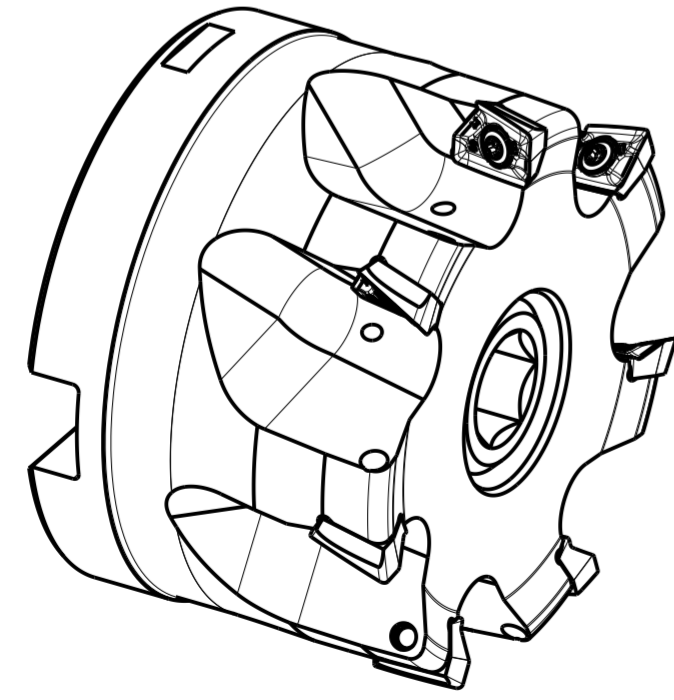
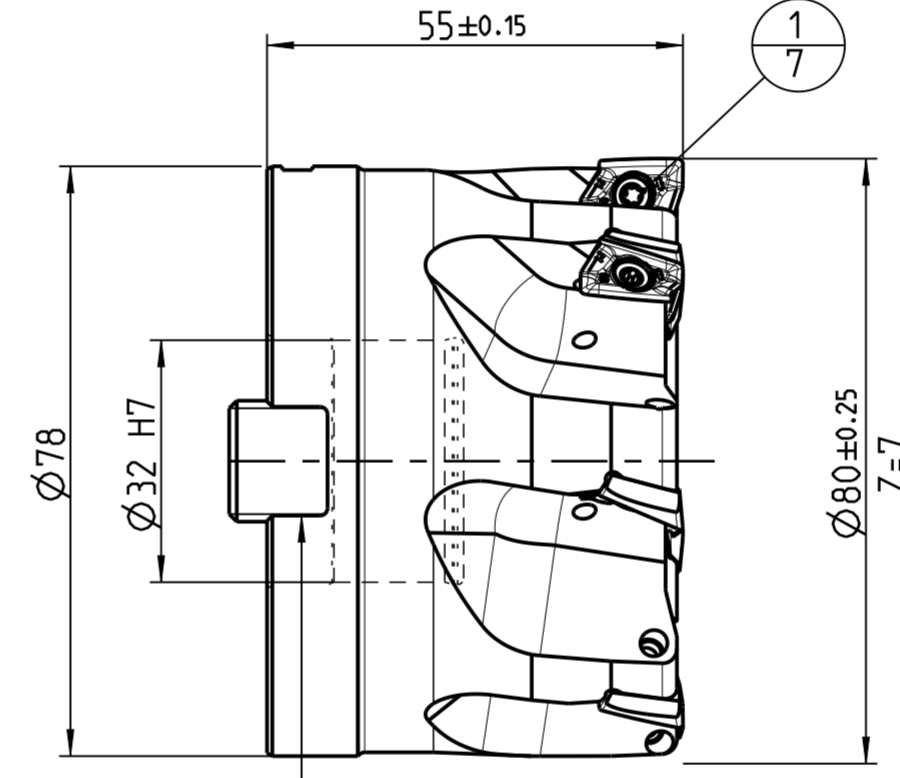
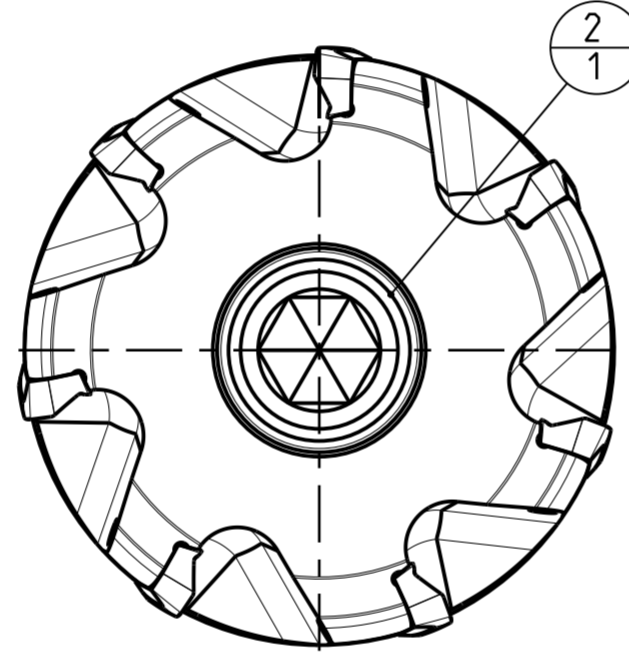
F

G

H

INDEX	CHANGES	DATE	NAME

DEBTOR NAME/CUSTOMER NAME: MAPAL DR. KRESS KG
 DEBTOR/CUSTOMER NO.: 400013
 SIMILAR
 SKETCH
 DESIGN ORDER NO.: 2100076659
 QUOTE: XPKT-FRAESER ST



BALANCE GRADE PER DIN ISO 21940-11
 G 6.3 / 3000 MIN⁻¹
 MASS
 APPROX. 1.5 kg

PART	TYP	QUAN.	UT	MATERIAL NUMBER	DESCRIPTION	TECHNICAL SPECIFICATION	CUSTOMER NUMBER
2	1			10003691	SOCKET HEAD SCREW	ISO 4762-M16x40-12.9	
1	7			30979520	TORX-SCREW	MN659 M3.5x8.1-TX10-IP	

SCOPE OF DELIVERY INFORMATION
 INSERTS NOT INCLUDED

TIGHTENING TORQUE FOR MAPAL CLAMPING SCREWS
 PER MN678BL1

MAPAL © FABRIK FUER PRAEZISIONSWERKZEUGE DR. KRESS KG	TITLE 90° FORM FACE CUTTER. INDEXABLE INSERTS	FORMAT A2
ALL RIGHTS FOR THE INVENTIONS, KNOW-HOW, TECHNICAL SOLUTIONS AND DESIGNS SHOWN ON THE DRAWING ARE ENTITLED TO MAPAL ONLY. AS FAR AS MAPAL DID NOT REGISTER PROPERTY RIGHTS HEREUPON YET, MAPAL FORMALLY RESERVES THE RIGHT FOR THE REGISTRATION OF PROPERTY RIGHTS. THE DRAWING AS WELL AS THE MATTERS SHOWN ARE STRICTLY CONFIDENTIAL. REPRODUCTIONS MAY ONLY BE MADE FOR THE PURPOSE AGREED UPON. NEITHER THIS DRAWING NOR COPIES THEREOF MAY BE MADE ACCESSIBLE TO THIRD PARTIES. WITH THE DELIVERY OF THIS DRAWING NO RIGHT TO USE IT FOR ANY PURPOSE IS GRANTED. VIOLATIONS AGAINST THE OBLIGATIONS TO SECURELY AND USE RESTRICTIONS WILL BE PROSECUTED.	MAPAL Präzisionswerkzeuge Dr. Kress KG	DATE OF ISSUE: 2021-09-22 CREATED: UNO DOCUMENT: 607614166-000-00-ED1 DATE APPROVED: MATERIAL NUMBER: 31281112
GENERAL TOLERANCE ISO 2768-1H SIZE ISO 14405-1Ⓢ	DIMENSIONS NOT SHOWN ARE MAPAL STANDARDS	SCALE: 1:1 TECHNICAL SPECIFICATION: ICM901-080-CA32-Z07R-XP_T11