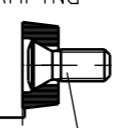
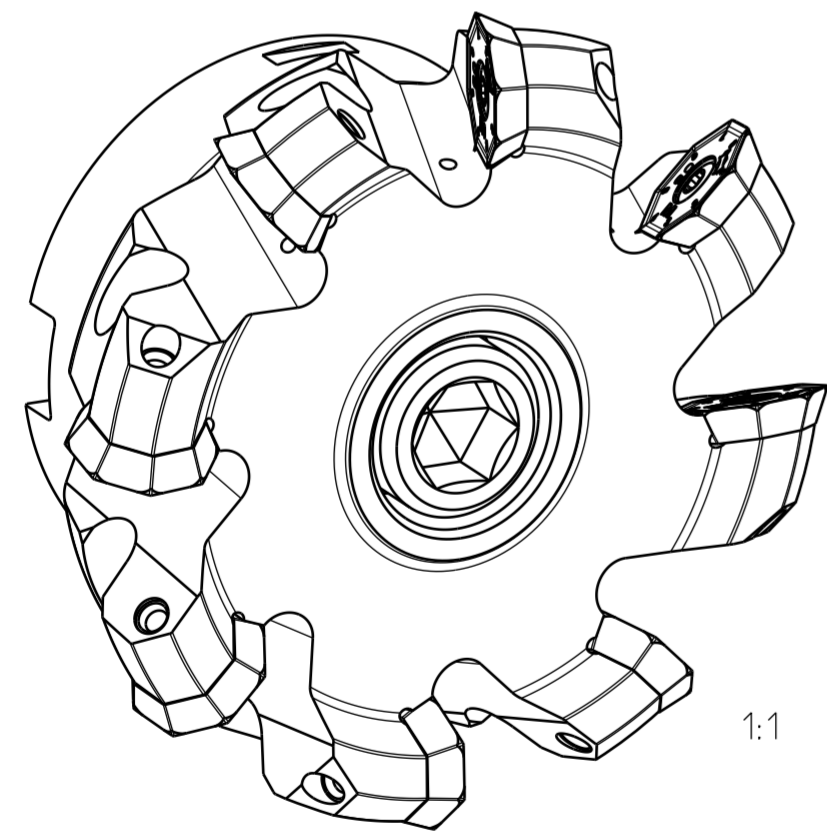
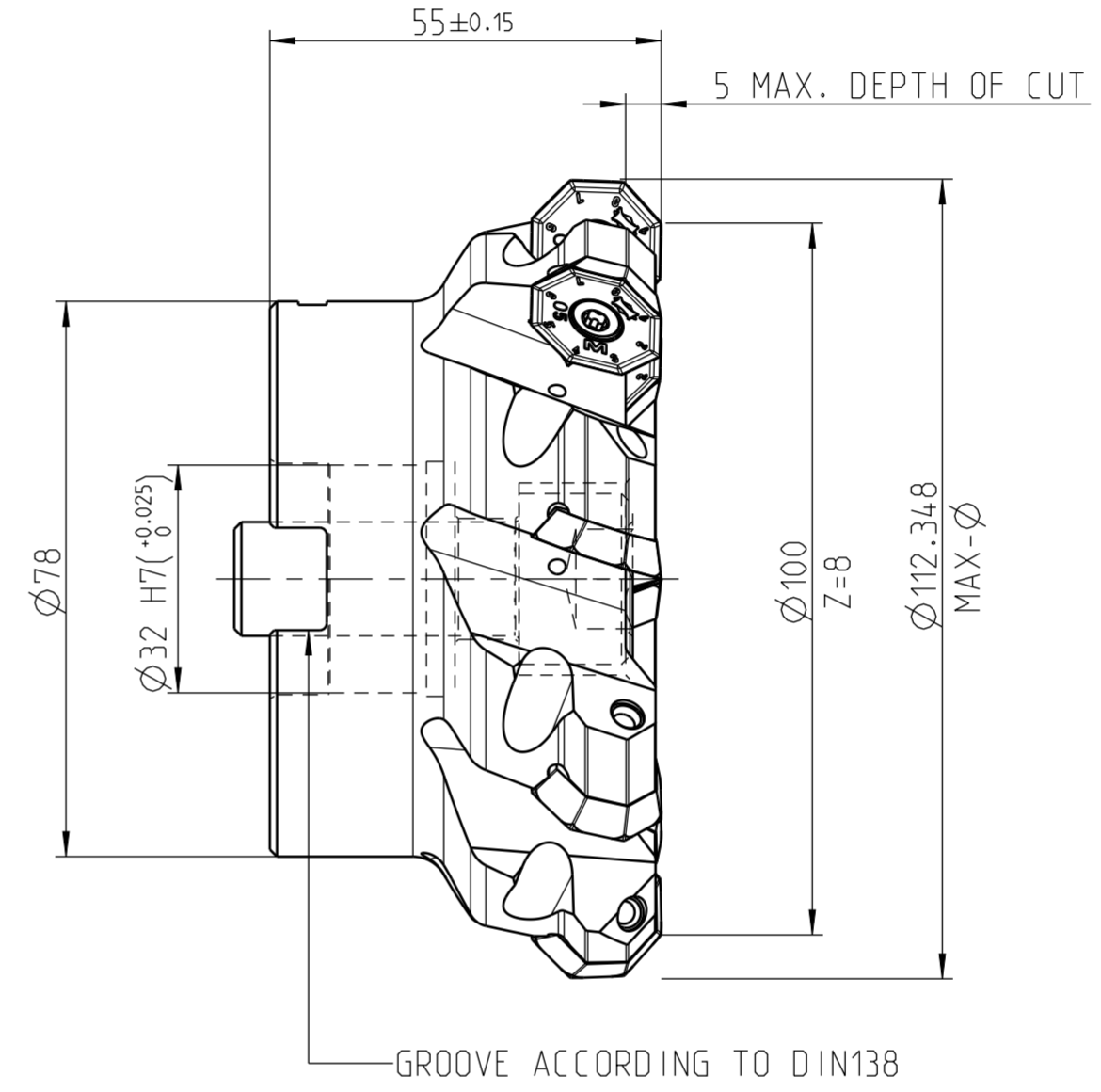
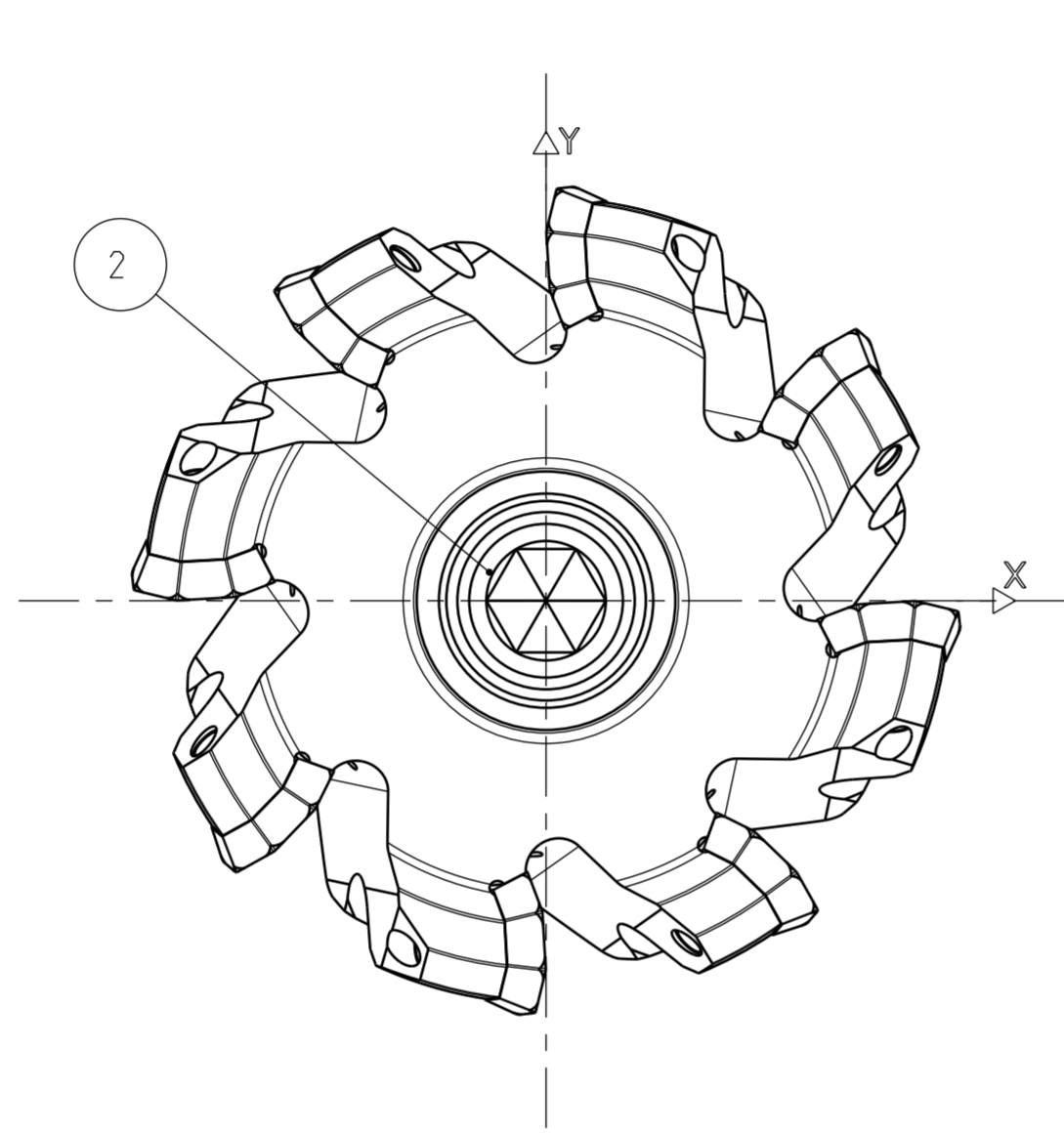
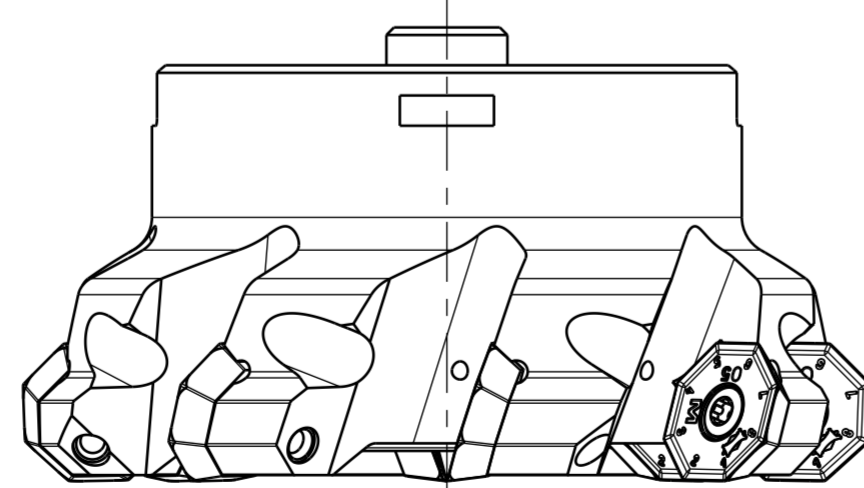


CLAMPING	SPARE PARTS	ALLOCATION OF PARTS	INDEX	CHANGES	DATE	NAME
		DIAMETER				
-	1	100				
-	-	-				
-	-	-				
-	-	-				
-	-	-				


UNEQUAL POSITIONING



1:1



PART	TYP	QUAN.	UT	MATERIAL NUMBER	DESCRIPTION	TECHNICAL SPECIFICATION	CUSTOMER NUMBER
-	OPT	1		31008547	SOCKET HEAD SCREW	MN692BL4-M16X40-12.9-IK	
2		1		10003691	SOCKET HEAD SCREW	ISO 4762-M16X40-12.9	
1		8		10105084	TORX-SCREW	MN659 MSX13-TX20-IP	

SCOPE OF DELIVERY INFORMATION		BOM INFORMATION		TIGHTENING TORQUE FOR MAPAL CLAMPING SCREWS	
INSERTS NOT INCLUDED		OPTIONAL PARTS (OPT) NOT INCLUDED SCOPE OF DELIVERY		PER MN678BL1	
MAPAL © FABRIK FUER PRAEZISIONSWERKZEUGE DR. KRESS KG		TITLE RADIAL MILLING PROGRAMME. BODY		DATE OF ISSUE 2018-05-15	CREATED ANS
<small>ALL RIGHTS FOR THE INVENTIONS, KNOW-HOW, TECHNICAL SOLUTIONS AND DESIGNS SHOWN ON THE DRAWING ARE ENTITLED TO MAPAL ONLY. AS FAR AS MAPAL DID NOT REGISTER PROPERTY RIGHTS HEREUPON YET, MAPAL FORMALLY RESERVES THE RIGHT FOR THE REGISTRATION OF PROPERTY RIGHTS. THE DRAWING AS WELL AS THE MATTERS SHOWN ARE STRICTLY CONFIDENTIAL. REPRODUCTIONS MAY ONLY BE MADE FOR THE PURPOSE AGREED UPON. NEITHER THIS DRAWING NOR COPIES THEREOF MAY BE MADE ACCESSIBLE TO THIRD PARTIES. WITH THE DELIVERY OF THIS DRAWING NO RIGHT TO USE IT FOR ANY PURPOSE IS GRANTED. VIOLATIONS AGAINST THE OBLIGATIONS TO SECRECY AND USE RESTRICTIONS WILL BE PROSECUTED.</small>		 MAPAL Präzisionswerkzeuge Dr. Kress KG		DOCUMENT 607040867-000-01-ED1	INDEX 00
		DATE	APPROVED	MATERIAL NUMBER 31002133	ORIGIN AAD
BALANCE GRADE PER DIN ISO 21940-11 G 6.3 / 3000 MIN ⁻¹		GENERAL TOLERANCE ISO 2768-IH SIZE ISO 14405-1 Ⓢ		SCALE 1:1	TECHNICAL SPECIFICATION IFM451-100-CA32-Z08R-OF_T07
MASS APPROX. 2.1 kg		DIMENSIONS NOT SHOWN ARE MAPAL STANDARDS			SHEET 1/1