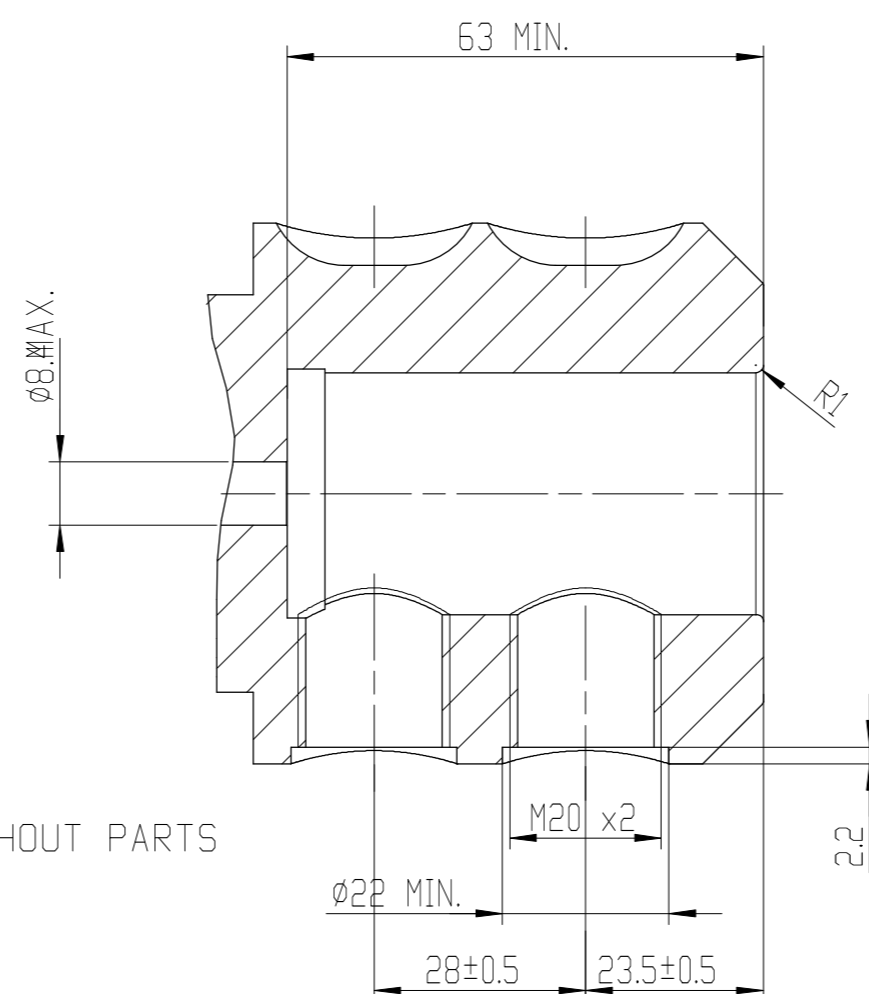
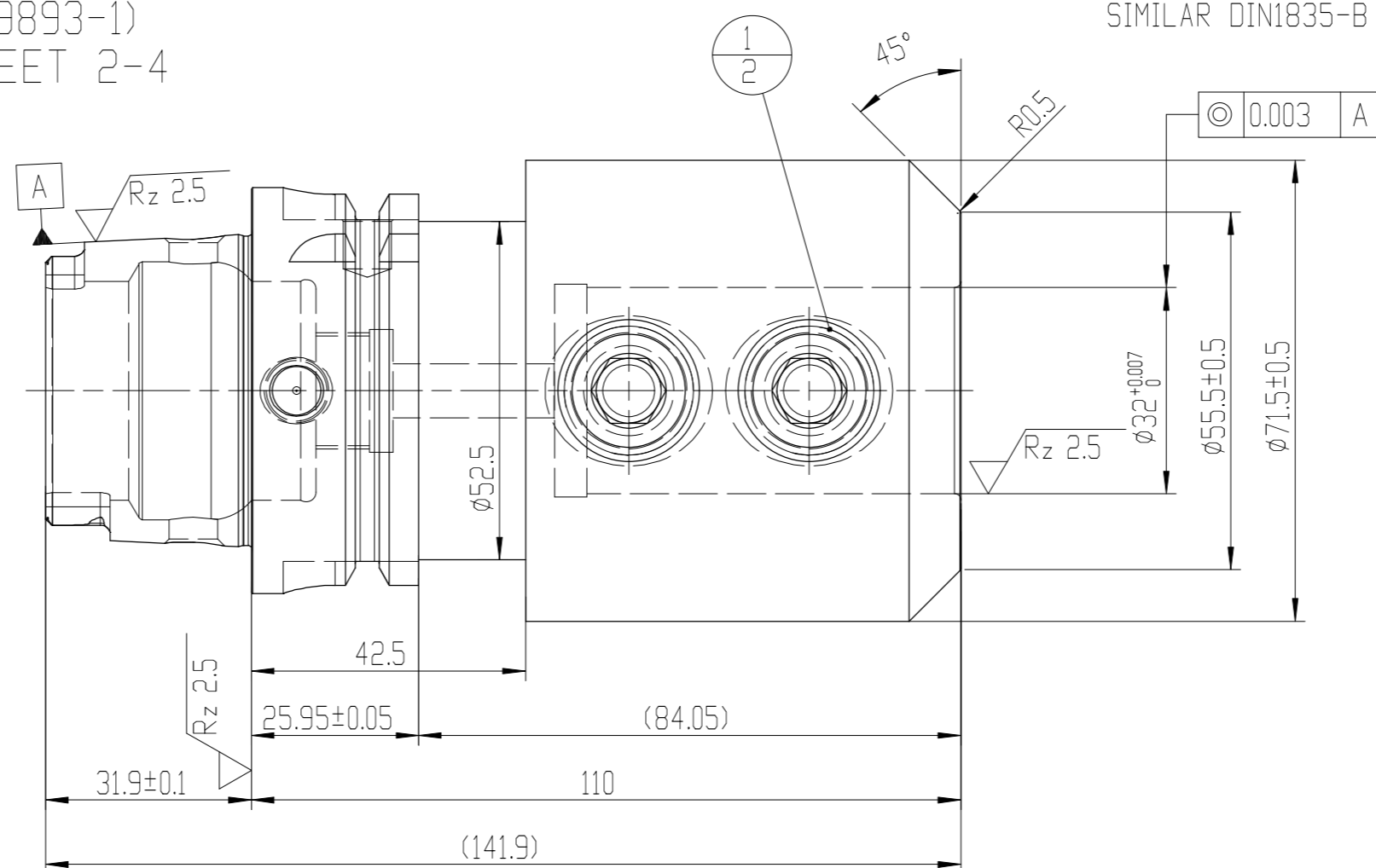


MODULAR CONNECTION HSK-A63
 (SIMILAR DIN 69893-1)
 PER MN609 SHEET 2-4

SIMILAR DIN1835-B



INDEX NO.	CHANGES	DATE	NAME
1	COOLANT TUBE REMOVED, PER NOTICE OF CHANCE FROM 8.3.2013 MR. KRIEGER	02.04.13	BRT

CUSTOMER:
 SIMILAR:
 PROJECT-NO.:
 JOB-NO.:
 SKETCH:

$\sqrt{Rz\ 2.5}$ ($\sqrt{Rz\ 2.5}$)
 CASE HARDENED HRC 60 ± 2
 DEPTH OF CASEHARDENING 0.8
 THREAD SOFT

MACH.-NO.:	STATION:	SPINDLE:
PART-NAME:		
PART-NO.:		
MATERIAL:		
TOOL-NO.:	OP-NO.:	HOLE-NO.:

1	2	10004129	SCREW	DIN 1835-B-M20X2X20			
PART	TYP	QUAN.	UT	MATERIAL NUMBER	DESCRIPTION	TECHNICAL SPECIFICATION	CUSTOMER NUMBER
				BALANCE GRADE DIN ISO 1940-G 2.5 (COMPLETE ASSEMBLY) AT 16000 MIN ⁻¹	THIS DRAWING REMAINS OUR EXCLUSIVE PROPERTY. IT IS ENTRUSTED ONLY FOR THE PURPOSE AGREED UPON AND MAY NOT BE USED FOR ANY OTHER PURPOSE, COPIES OR OTHER REPRODUCTIONS MAY ONLY BE MADE FOR THE PURPOSE AGREED UPON. NEITHER ORIGINALS NOR REPRODUCTIONS MAY BE TRANSMITTED OR OTHERWISE MADE ACCESSIBLE TO A THIRD PARTY WITHOUT OUR WRITTEN CONSENT.	MAPAL Präzisionswerkzeuge Dr. Kress KG	DATE: 07.03.12 NAME: BRT CHK. APP.
ADDITIONALLY TO VA-NO. 07.08.01 MARK WITH:				DIMENSIONAL TOLERANCES PER ISO 2768-F UNLESS OTHERWISE SPECIFIED	DIMENSIONS NOT SHOWN ARE MAPAL STANDARDS	REGISTERED WITH GERMAN AND FOREIGN PATENT OFFICES	SCALE: 1:1 A2
TITLE: CLAMPING CHUCK FOR CYLINDRICAL SHANKS FORM HB, WITH HSK							ORIGIN: AA1
TECHNICAL SPECIFICATION: MWC-HSK-A063-32-110-1-0-W				MATERIAL NUMBER: 30319212	DRAWING NO.:	285751-001-01-ED1	INDEX: 01
REPLACES DWG. NO.: MN5089-08-K				REPLACED BY DWG. NO.:			
							SHEET 1 OF 1 SHEETS