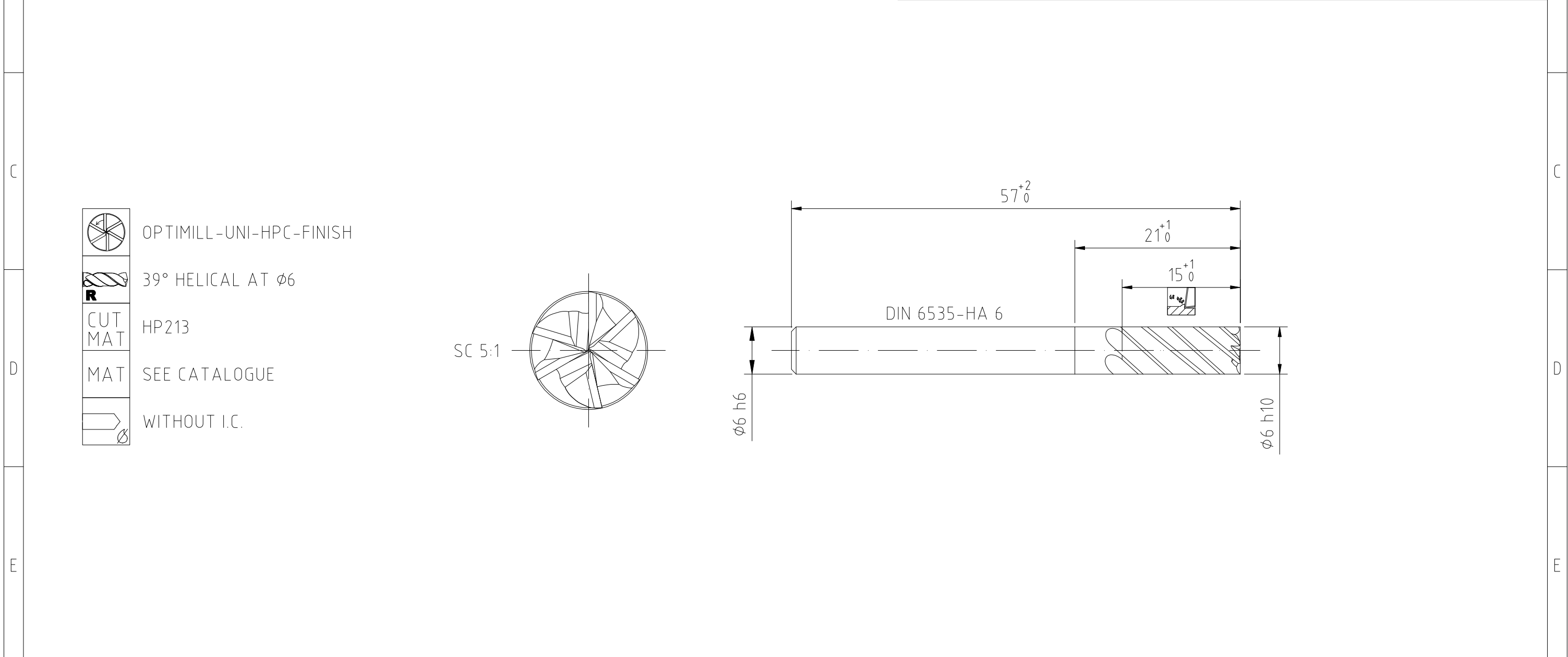




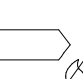

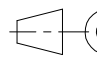


INDEX	CHANGES	DATE	NAME



-  OPTIMILL-UNI-HPC-FINISH
-  39° HELICAL AT  $\phi 6$
-  HP213
-  SEE CATALOGUE
-  WITHOUT I.C.

MAPAL © FABRIK FUER PRAEZISIONSWERKZEUGE DR. KRESS KG	TITLE OPTIMILL-UNI-HPC-FINISH, SHANK FORM HA, SC, COATED			FORMAT A3	
<small>ALL RIGHTS FOR THE INVENTIONS, KNOW-HOW, TECHNICAL SOLUTIONS AND DESIGNS SHOWN ON THE DRAWING ARE ENTITLED TO MAPAL ONLY. AS FAR AS MAPAL DID NOT REGISTER PROPERTY RIGHTS HEREUPON YET, MAPAL FORMALLY RESERVES THE RIGHT FOR THE REGISTRATION OF PROPERTY RIGHTS. THE DRAWING AS WELL AS THE MATTERS SHOWN ARE STRICTLY CONFIDENTIAL. REPRODUCTIONS MAY ONLY BE MADE FOR THE PURPOSE AGREED UPON. NEITHER THIS DRAWING NOR COPIES THEREOF MAY BE MADE ACCESSIBLE TO THIRD PARTIES. WITH THE DELIVERY OF THIS DRAWING NO RIGHT TO USE IT FOR ANY PURPOSE IS GRANTED. VIOLATIONS AGAINST THE OBLIGATIONS TO SECRECY AND USE RESTRICTIONS WILL BE PROSECUTED.</small>	 <b>MAPAL</b> <b>Präzisionswerkzeuge</b> <b>Dr. Kress KG</b>	DATE OF ISSUE 2023-01-18	CREATED KSA	DOCUMENT 607893780-000-00-ED1	INDEX 00
		DATE	APPROVED	MATERIAL NUMBER 30393541	ORIGIN ALD
GENERAL TOLERANCE ISO 2768-mH SIZE ISO 14405-1 Ⓔ	DIMENSIONS NOT SHOWN ARE MAPAL STANDARDS		SCALE 2:1	TECHNICAL SPECIFICATION SCM370-0600Z06R-S-HA-HP213	SHEET 1/1