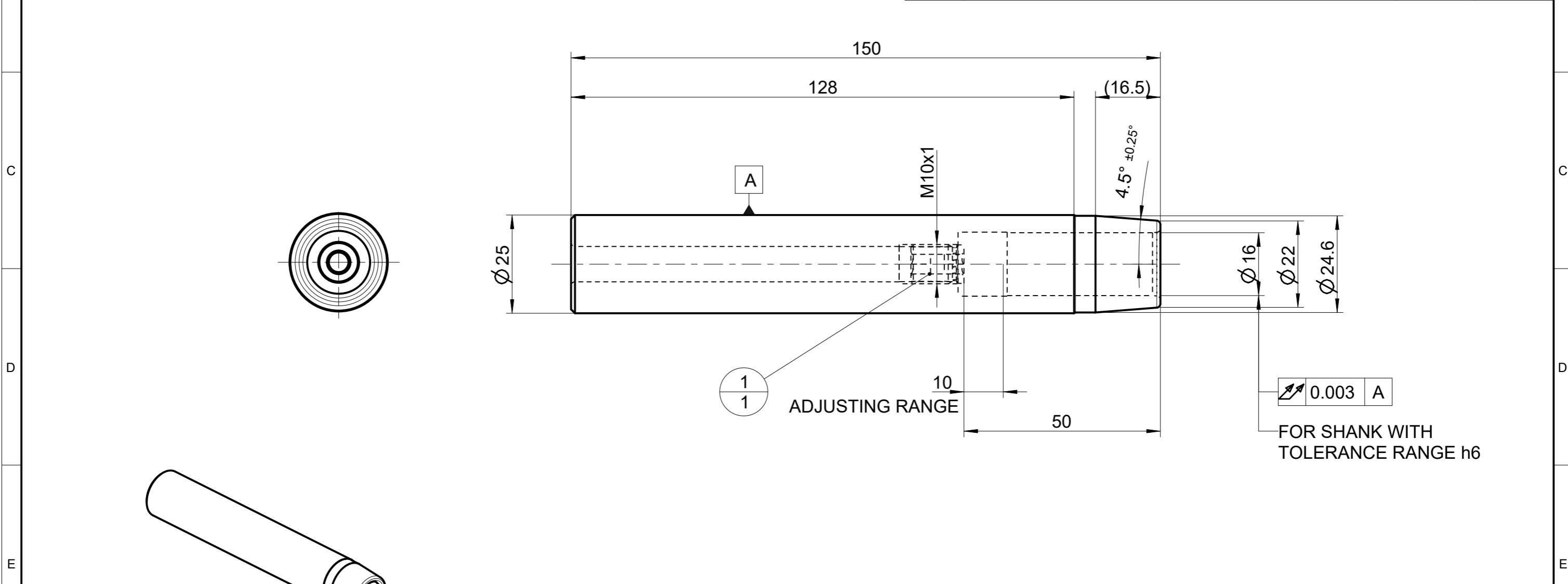


INDEX	CHANGES	DATE	NAME



1	PART	TYP	QUAN.	UT	MATERIAL NUMBER	DESCRIPTION	TECHNICAL SPECIFICATION	CUSTOMER NUMBER
1			1		30252542	STOP SCREW	M10X1 SW5	

MAPAL © FABRIK FUER PRAEZISIONSWERKZEUGE DR. KRESS KG		MAPAL Präzisionswerkzeuge Dr. Kress KG			DATE OF ISSUE 2024-09-05	CREATED SMU	DOCUMENT 608137818-000-00-ED1	INDEX 00
ALL RIGHTS FOR THE INVENTIONS, KNOW-HOW, TECHNICAL SOLUTIONS AND DESIGNS SHOWN ON THE DRAWING ARE ENTITLED TO MAPAL ONLY. AS FAR AS MAPAL DID NOT REGISTER PROPERTY RIGHTS HEREUPON YET, MAPAL FORMALLY RESERVES THE RIGHT FOR THE REGISTRATION OF PROPERTY RIGHTS. THE DRAWING AS WELL AS THE MATTERS SHOWN ARE STRICTLY CONFIDENTIAL. REPRODUCTIONS MAY ONLY BE MADE FOR THE PURPOSE AGREED UPON. NEITHER THIS DRAWING NOR COPIES THEREOF MAY BE MADE ACCESSIBLE TO THIRD PARTIES. WITH THE DELIVERY OF THIS DRAWING NO RIGHT TO USE IT FOR ANY PURPOSE IS GRANTED. VIOLATIONS AGAINST THE OBLIGATIONS TO SECRECY AND USE RESTRICTIONS WILL BE PROSECUTED.		GENERAL TOLERANCE ISO 2768-FH SIZE ISO 14405-1 Ⓜ		DIMENSIONS NOT SHOWN ARE MAPAL STANDARDS	DATE 2024-09-05	APPROVED BAR	MATERIAL NUMBER 30251135	ORIGIN EHD
BALANCE GRADE PER DIN ISO 21940-11 G 2,5 / 25000 MIN ⁻¹		MASS APPROX. 0.4 kg		SCALE 1:1	TECHNICAL SPECIFICATION 25X16X150		SHEET 1/1	