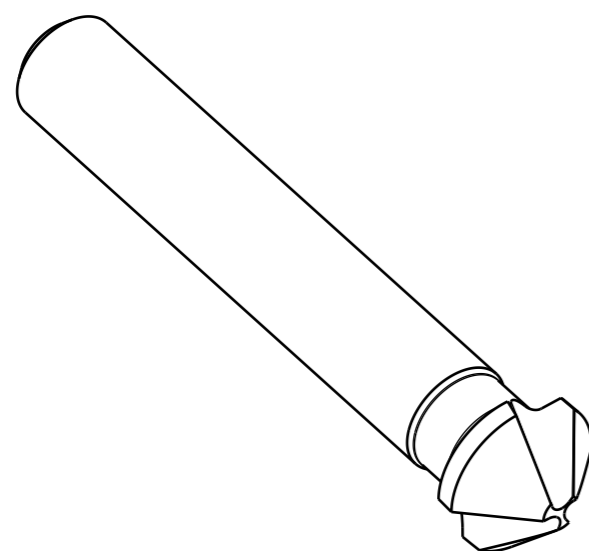
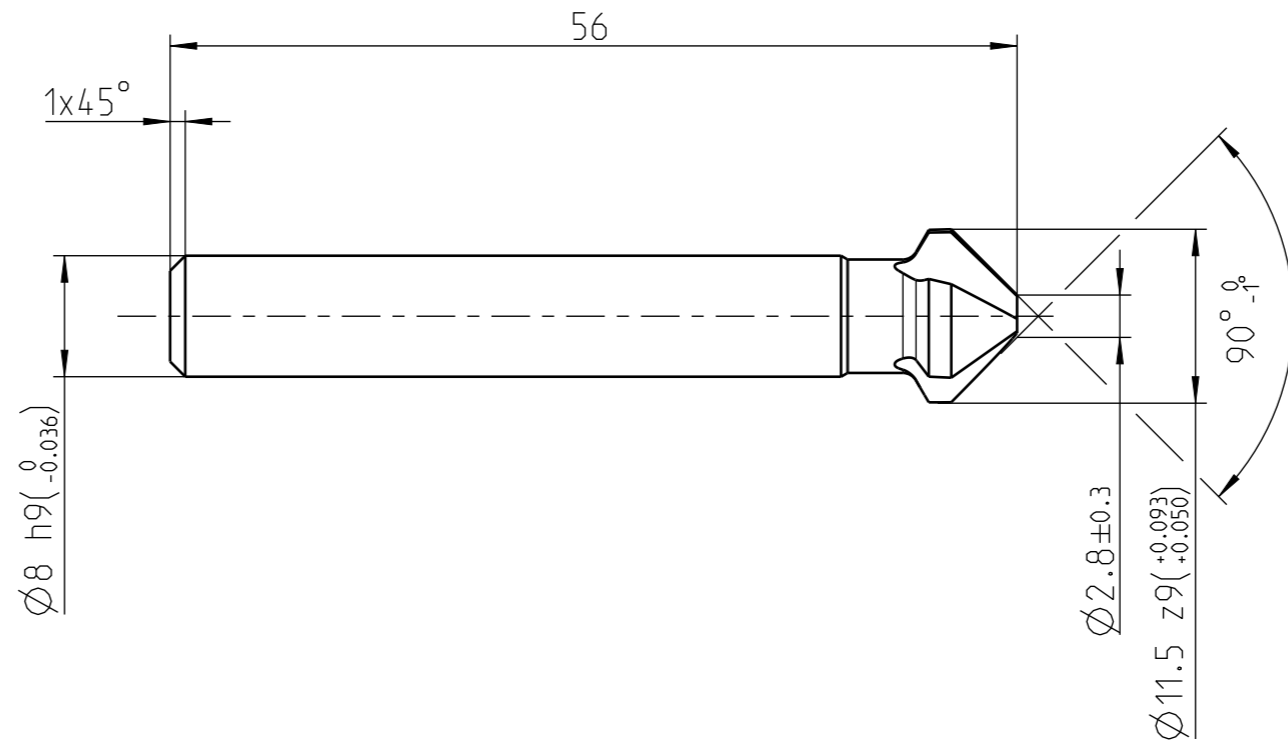


3 CUTTING EDGE, RIGHT HAND FLUTED, RIGHT HAND CUTTING

INDEX	CHANGES	DATE	NAME



PART	TYP	QUAN.	UT	MATERIAL NUMBER	DESCRIPTION	TECHNICAL SPECIFICATION	CUSTOMER NUMBER
MAPAL © FABRIK FUER PRAEZISIONSWERKZEUGE DR. KRESS KG					TITLE TAPER COUNTERSINK, UNEQUAL DIVISION, HSS, COATED		FORMAT A3
<small>ALL RIGHTS FOR THE INVENTIONS, KNOW-HOW, TECHNICAL SOLUTIONS AND DESIGNS SHOWN ON THE DRAWING ARE ENTITLED TO MAPAL ONLY. AS FAR AS MAPAL DID NOT REGISTER PROPERTY RIGHTS HEREUPON YET, MAPAL FORMALLY RESERVES THE RIGHT FOR THE REGISTRATION OF PROPERTY RIGHTS. THE DRAWING AS WELL AS THE MATTERS SHOWN ARE STRICTLY CONFIDENTIAL. REPRODUCTIONS MAY ONLY BE MADE FOR THE PURPOSE AGREED UPON. NEITHER THIS DRAWING NOR COPIES THEREOF MAY BE MADE ACCESSIBLE TO THIRD PARTIES. WITH THE DELIVERY OF THIS DRAWING NO RIGHT TO USE IT FOR ANY PURPOSE IS GRANTED. VIOLATIONS AGAINST THE OBLIGATIONS TO SECRECY AND USE RESTRICTIONS WILL BE PROSECUTED.</small>					MAPAL Präzisionswerkzeuge Dr. Kress KG		DATE OF ISSUE 2020-02-11
					CREATED W ID	DOCUMENT 607371219-001-00-ED1	INDEX 00
<small>GENERAL TOLERANCE ISO 2768-fH SIZE ISO 14405-1 Ⓢ</small>					<small>DIMENSIONS NOT SHOWN ARE MAPAL STANDARDS</small>		DATE APPROVED
					SCALE 2:1	TECHNICAL SPECIFICATION COS110-1150-335C-SP345	ORIGIN W ID
<small>RESTRICTIONS WILL BE PROSECUTED.</small>							SHEET 1/1
					MATERIAL NUMBER 30662997		TECHNICAL SPECIFICATION COS110-1150-335C-SP345