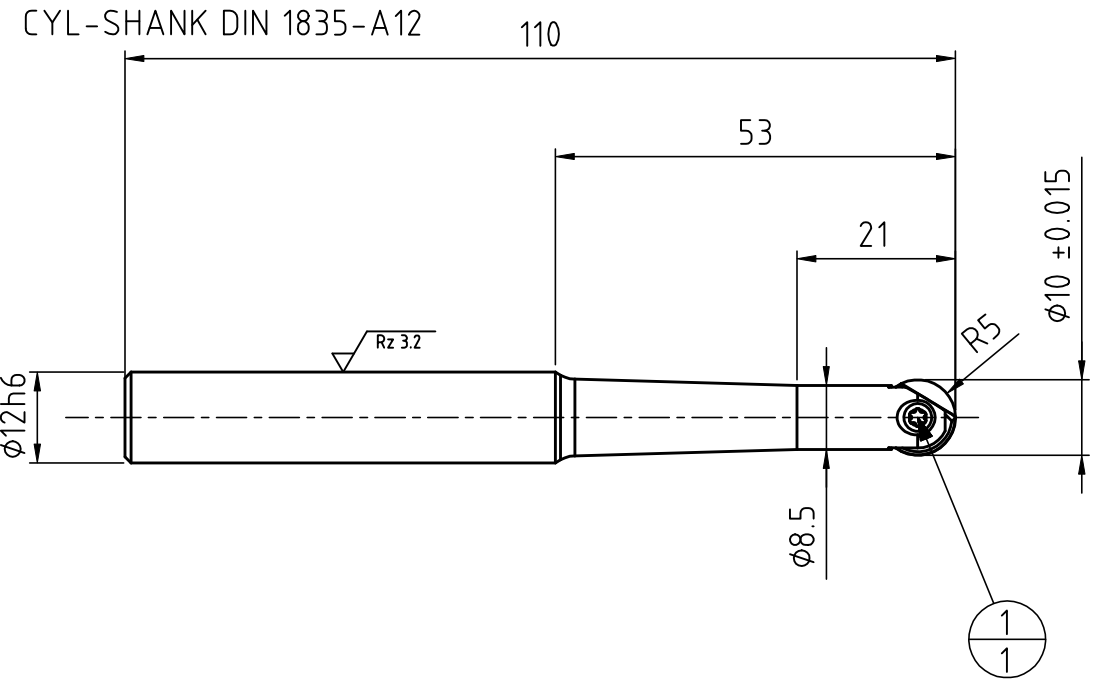
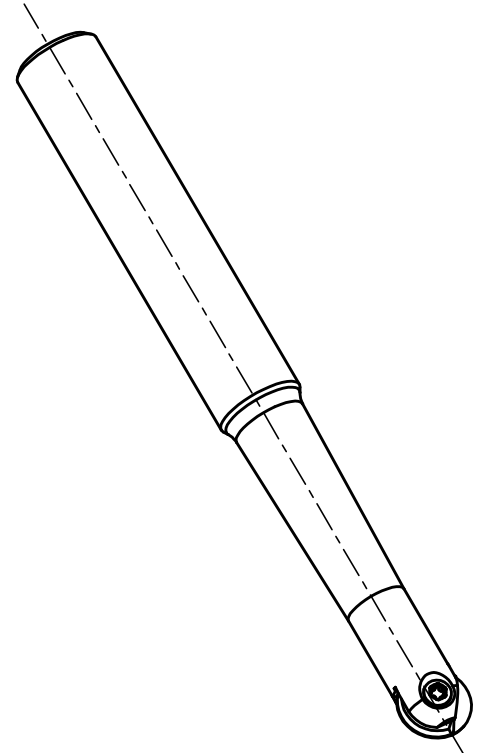


1	2		3	4	5	6		7	8		
A											A
B											B
C											C
D											D
E											E
F											F

INDEX NO.	CHANGES	DATE	NAME
-	-	-	-
-	-	-	-
-	-	-	-
-	-	-	-
-	-	-	-



JOB-NO.:
PROJECT-NO.:
SKETCH:
CUST.:
SIMILAR:

MACH.NO. STATION: SPINDLE:
PART-NAME.:
PART NO.:
MATERIAL:
OP-NO.: TOOL-NO.: HOLE-NO.:

INSERT NOT INCLUDED

WEIGHT: 0,07Kg

PART	TYP	QUAN.	UT	MATERIAL NUMBER	DESCRIPTION	TECHNICAL SPECIFICATION	CUSTOMER NUMBER			
-	-	-	-	-	-	-	-			
1	-	1	PC	31161845	TORX-SCREW	M3X7.7-TX8-IP	-			
BALANCING GRADE DIN ISO 1940-G (COMPLETE ASSEMBLY) AT R.P.M. -1					THIS DRAWING REMAINS OUR EXCLUSIVE PROPERTY. IT IS ENTRUSTED ONLY FOR THE PURPOSE AGREED UPON AND MAY NOT BE USED FOR ANY OTHER PURPOSE. COPIES OR OTHER REPRODUCTIONS MAY ONLY BE MADE FOR THE PURPOSE AGREED UPON. NEITHER ORIGINALS NOR REPRODUCTIONS MAY BE TRANSMITTED OR OTHERWISE MADE ACCESSIBLE TO A THIRD PARTY WITHOUT OUR WRITTEN CONSENT.		DATE	NAME		
ADDITIONALLY TO VA-NO: 07.05.01 MARK WITH					DIMENSIONAL TOLERANCES PER ISO 2768-F UNLESS OTHERWISE SPECIFIED	DIMENSIONS NOT SHOWN ARE MAPAL STANDARD	REGISTERED WITH GERMAN AND FOREIGN PATENT OFFICES	SCALE: 1:1	FORMAT: A3	
					 MAPAL Präzisionswerkzeuge Dr. Kress KG			DRAWN	24.04.2020	G.MONTINI
					TITLE: BALL AND TORIC MILLING CUTTER, END MILLING CUTTER, INDEXABLE			APP.		
					TECHNICAL SPECIFICATION	MATERIAL NUMBER.: IMB100-010-110-HA12-Z2R-BM 10	DRAWING NO.: 607326839-000-00-EN1	CHK.		INDEX AA1
					REPLACES DWG. NO.:	REPLACED BY DWG. NO.:	SHEET V.	SHEETS	00	00