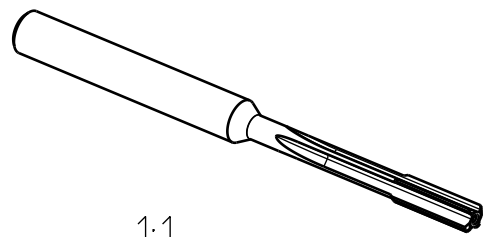
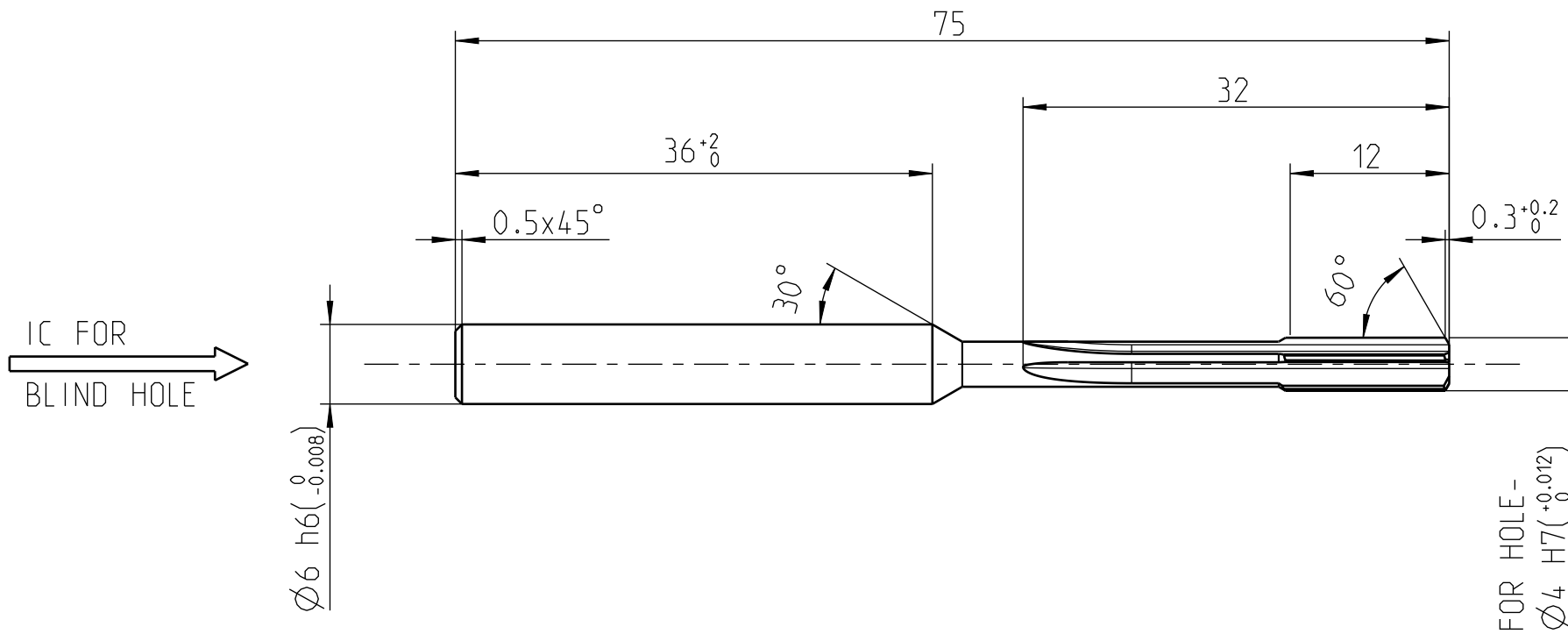


4 CUTTING EDGE, STRAIGHT FLUTED, RIGHT HAND CUTTING

INDEX	CHANGES	DATE	NAME



1:1

PART	TYP	QUAN.	UT	MATERIAL NUMBER	DESCRIPTION	TECHNICAL SPECIFICATION	CUSTOMER NUMBER	
BOM INFORMATION					OPTIONAL PARTS (OPT) NOT INCLUDED SCOPE OF DELIVERY			
MAPAL © FABRIK FUER PRAEZISIONSWERKZEUGE DR. KRESS KG					TITLE FIXREAM, SOLID CARBIDE, COATED			FORMAT A3
ALL RIGHTS FOR THE INVENTIONS, KNOW-HOW, TECHNICAL SOLUTIONS AND DESIGNS SHOWN ON THE DRAWING ARE ENTITLED TO MAPAL ONLY. AS FAR AS MAPAL DID NOT REGISTER PROPERTY RIGHTS HEREUPON YET, MAPAL FORMALLY RESERVES THE RIGHT FOR THE REGISTRATION OF PROPERTY RIGHTS. THE DRAWING AS WELL AS THE MATTERS SHOWN ARE STRICTLY CONFIDENTIAL. REPRODUCTIONS MAY ONLY BE MADE FOR THE PURPOSE AGREED UPON. NEITHER THIS DRAWING NOR COPIES THEREOF MAY BE MADE ACCESSIBLE TO THIRD PARTIES. WITH THE DELIVERY OF THIS DRAWING NO RIGHT TO USE IT FOR ANY PURPOSE IS GRANTED. VIOLATIONS AGAINST THE OBLIGATIONS TO SECRECY AND USE RESTRICTIONS WILL BE PROSECUTED.					DATE OF ISSUE 2019-04-09	CREATED W ID	DOCUMENT 607232355-000-00-ED1	INDEX 00
					DATE	APPROVED	MATERIAL NUMBER 30570797	ORIGIN W ID
GENERAL TOLERANCE ISO 2768-fH SIZE ISO 14405-1 Ⓢ					DIMENSIONS NOT SHOWN ARE MAPAL STANDARDS	SCALE 2:1	TECHNICAL SPECIFICATION FXR50504.000H7MT0A-HP145	SHEET 1/1