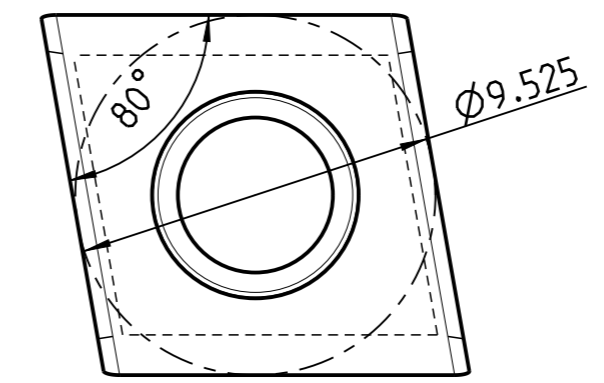
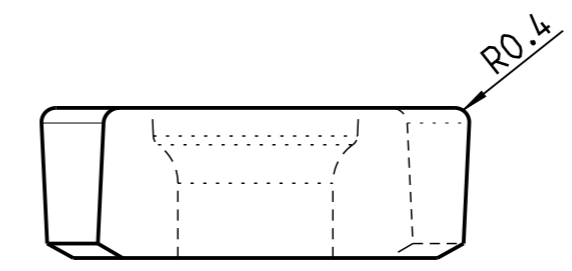
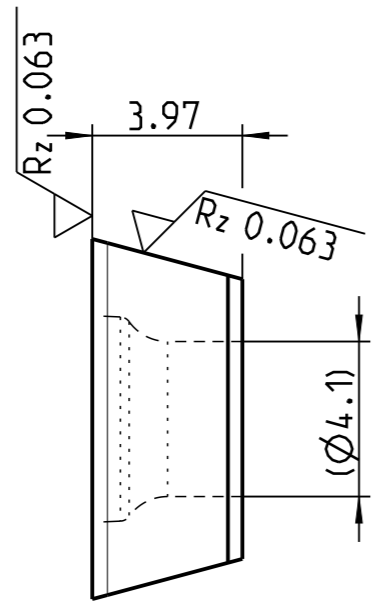


INDEX	CHANGES	DATE	NAME
1	TECHNICAL SPECIFICATION CHANGED: PER ECN FROM 2021-04-01 MR.UHRLE	2021-01-20	BUK



$\sqrt{R_z 1}$ ($\sqrt{R_z 0.063}$)

MAPAL © FABRIK FUER PRAEZISIONSWERKZEUGE DR. KRESS KG		TITLE TANGENTIAL INDEXABLE INSERT, CARBIDE			FORMAT A3
<small>ALL RIGHTS FOR THE INVENTIONS, KNOW-HOW, TECHNICAL SOLUTIONS AND DESIGNS SHOWN ON THE DRAWING ARE ENTITLED TO MAPAL ONLY. AS FAR AS MAPAL DID NOT REGISTER PROPERTY RIGHTS HEREUPON YET, MAPAL FORMALLY RESERVES THE RIGHT FOR THE REGISTRATION OF PROPERTY RIGHTS. THE DRAWING AS WELL AS THE MATTERS SHOWN ARE STRICTLY CONFIDENTIAL. REPRODUCTIONS MAY ONLY BE MADE FOR THE PURPOSE AGREED UPON. NEITHER THIS DRAWING NOR COPIES THEREOF MAY BE MADE ACCESSIBLE TO THIRD PARTIES. WITH THE DELIVERY OF THIS DRAWING NO RIGHT TO USE IT FOR ANY PURPOSE IS GRANTED. VIOLATIONS AGAINST THE OBLIGATIONS TO SECRECY AND USE RESTRICTIONS WILL BE PROSECUTED.</small>		MAPAL Präzisionswerkzeuge Dr. Kress KG		DATE OF ISSUE 2002-08-14	CREATED J.H./KER
		GENERAL TOLERANCE ISO 2768-fH SIZE ISO 14405-1 (E)		DIMENSIONS NOT SHOWN ARE MAPAL STANDARDS	
				SCALE 5:1	DOCUMENT 606180791-000-01-ED1 MATERIAL NUMBER 30029737 TECHNICAL SPECIFICATION C THD09T304D00R-HU616 (1)
				SHEET 1/1	