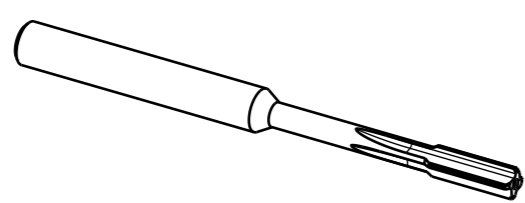
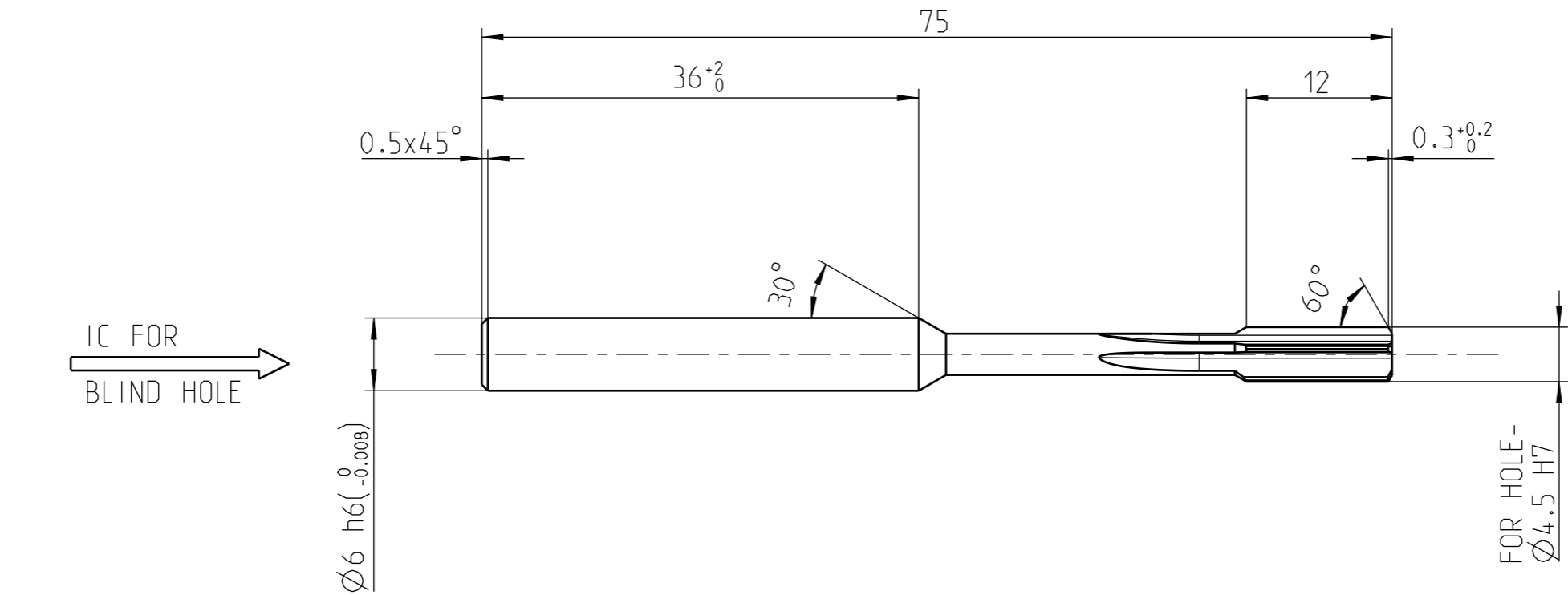


4 CUTTING EDGE, STRAIGHT FLUTED, RIGHT HAND CUTTING

INDEX	CHANGES	DATE	NAME



1:1

MAPAL ©
FABRIK FUER PRAEZISIONSWERKZEUGE DR. KRESS KG

TITLE
FIXREAM, SOLID CARBIDE, COATED

FORMAT
A3

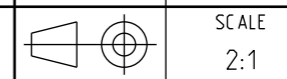
ALL RIGHTS FOR THE INVENTIONS, KNOW-HOW, TECHNICAL SOLUTIONS AND DESIGNS SHOWN ON THE DRAWING ARE ENTITLED TO MAPAL ONLY. AS FAR AS MAPAL DID NOT REGISTER PROPERTY RIGHTS HEREUPON YET, MAPAL FORMALLY RESERVES THE RIGHT FOR THE REGISTRATION OF PROPERTY RIGHTS. THE DRAWING AS WELL AS THE MATTERS SHOWN ARE STRICTLY CONFIDENTIAL. REPRODUCTIONS MAY ONLY BE MADE FOR THE PURPOSE AGREED UPON. NEITHER THIS DRAWING NOR COPIES THEREOF MAY BE MADE ACCESSIBLE TO THIRD PARTIES. WITH THE DELIVERY OF THIS DRAWING NO RIGHT TO USE IT FOR ANY PURPOSE IS GRANTED. VIOLATIONS AGAINST THE OBLIGATIONS TO SECRECY AND USE RESTRICTIONS WILL BE PROSECUTED.

MAPAL
Präzisionswerkzeuge
Dr. Kress KG

DATE OF ISSUE 23.07.20	CREATED W ID	DOCUMENT 607444671-000-00-ED1
DATE	APPROVED	MATERIAL NUMBER 30570748

INDEX
ORIGIN
W ID

GENERAL TOLERANCE ISO 2768-fH
SIZE ISO 14405-1 Ⓢ



SCALE
2:1

SHEET
1/1

DIMENSIONS NOT SHOWN
ARE MAPAL STANDARDS

TECHNICAL SPECIFICATION
FXR505 04.500H7MV0A-HP145