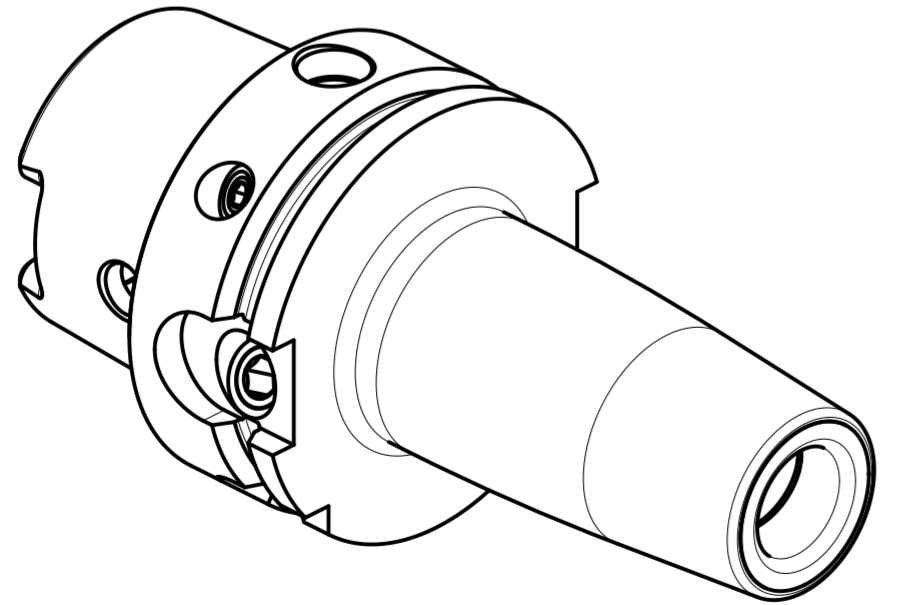
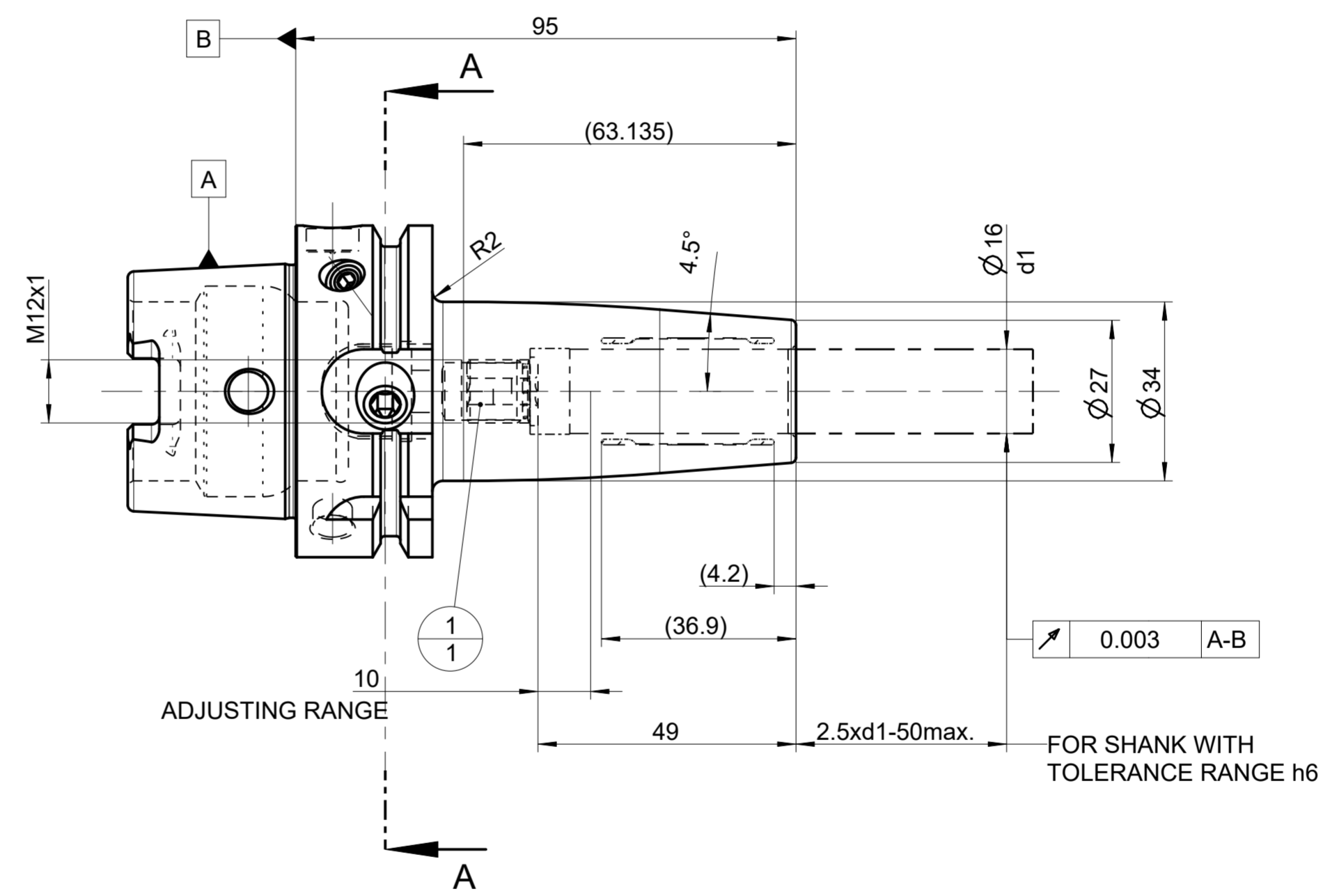
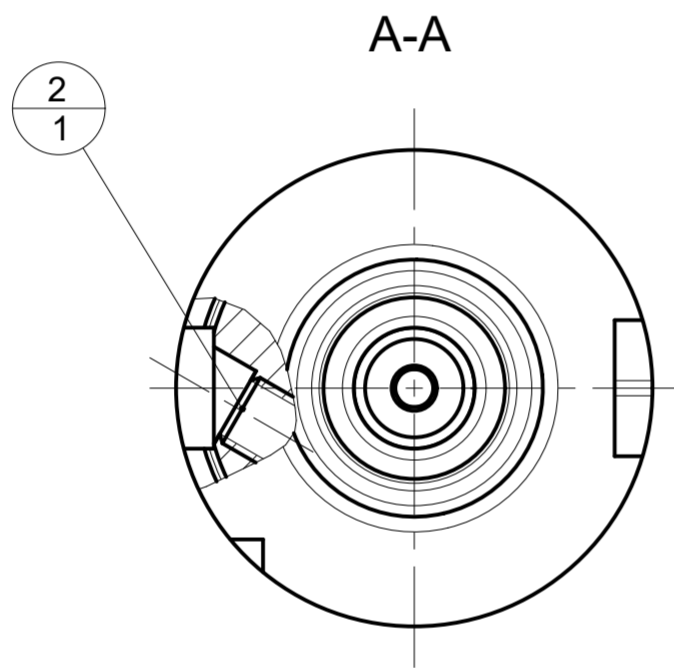


INDEX	CHANGES	DATE	NAME

MODULAR CONNECTION HSK-A63  
(SIMILAR DIN 69893-1)  
PER MN609 SHEET 2-4



PART	TYP	QUAN.	UT	MATERIAL NUMBER	DESCRIPTION	TECHNICAL SPECIFICATION	CUSTOMER NUMBER
2	1			31218229	THREADED PIN	MN715BL1-M10X10	
1	1			30252543	STOP SCREW	M12X1 SW5	

BALANCE GRADE PER DIN ISO 21940-11  
G 2.5 / 25000 MIN -1  
MASS  
APPROX. 1.0 kg

<b>MAPAL</b> FABRIK FUER PRAEZISIONSWERKZEUGE DR. KRESS KG		TITLE <b>UNIQU DREAM CHUCK, 4.5°</b>		FORMAT A2			
<small>ALL RIGHTS FOR THE INVENTIONS, KNOW-HOW, TECHNICAL SOLUTIONS AND DESIGNS SHOWN ON THE DRAWING ARE ENTITLED TO MAPAL ONLY. AS FAR AS MAPAL DID NOT REGISTER PROPERTY RIGHTS HEREUPON YET, MAPAL FORMALLY RESERVES THE RIGHT FOR THE REGISTRATION OF PROPERTY RIGHTS. THE DRAWING AS WELL AS THE MATTERS SHOWN ARE STRICTLY CONFIDENTIAL. REPRODUCTIONS MAY ONLY BE MADE FOR THE PURPOSE AGREED UPON. NEITHER THIS DRAWING NOR COPIES THEREOF MAY BE MADE ACCESSIBLE TO THIRD PARTIES. WITH THE DELIVERY OF THIS DRAWING NO RIGHT TO USE IT FOR ANY PURPOSE IS GRANTED. VIOLATIONS AGAINST THE OBLIGATIONS TO SECRECY AND USE RESTRICTIONS WILL BE PROSECUTED.</small>		<b>MAPAL</b> Präzisionswerkzeuge Dr. Kress KG	DATE OF ISSUE 2024-05-03	CREATED SMU	DOCUMENT 608088543-000-00-ED1	INDEX 00	
			DATE 2024-05-03	APPROVED REM	MATERIAL NUMBER 31270555	ORIGIN EHD	
		GENERAL TOLERANCE ISO 2768-FH SIZE ISO 14405-1	DIMENSIONS NOT SHOWN ARE MAPAL STANDARDS		SCALE 1:1	TECHNICAL SPECIFICATION MHC-HSK-A063-16-095-1-0-A	SHEET 1/1