



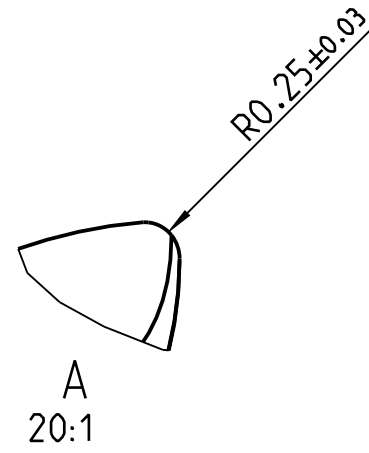
OPTIMILL-UNI-HPC-POCKET Z3

42° HELICAL FLUTET AT Ø5.00

HP920

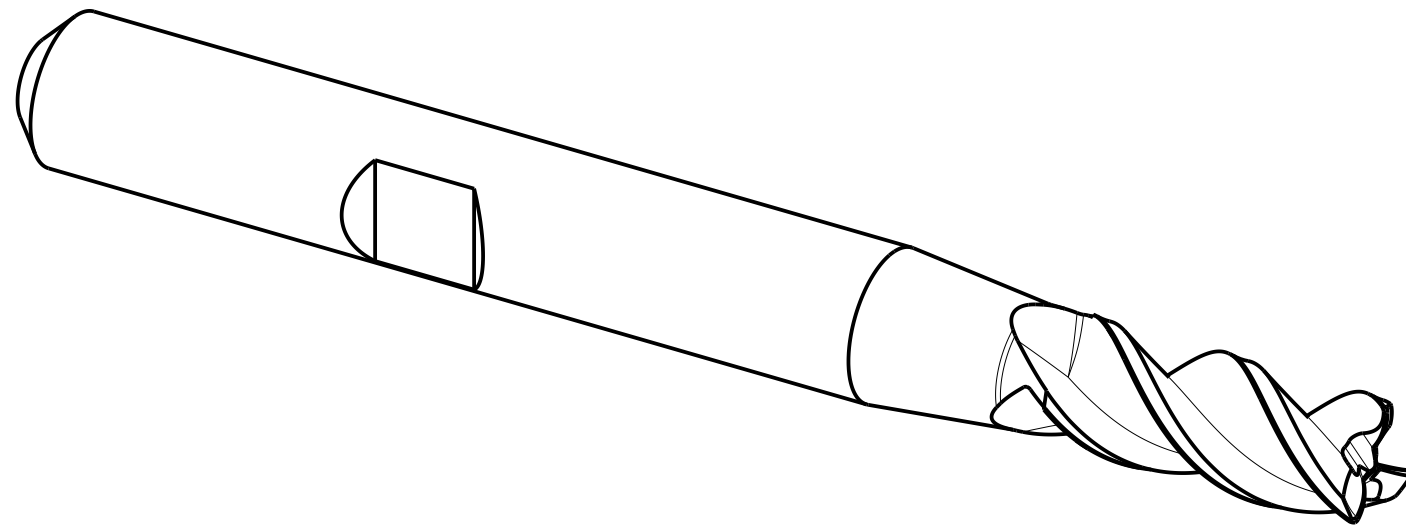
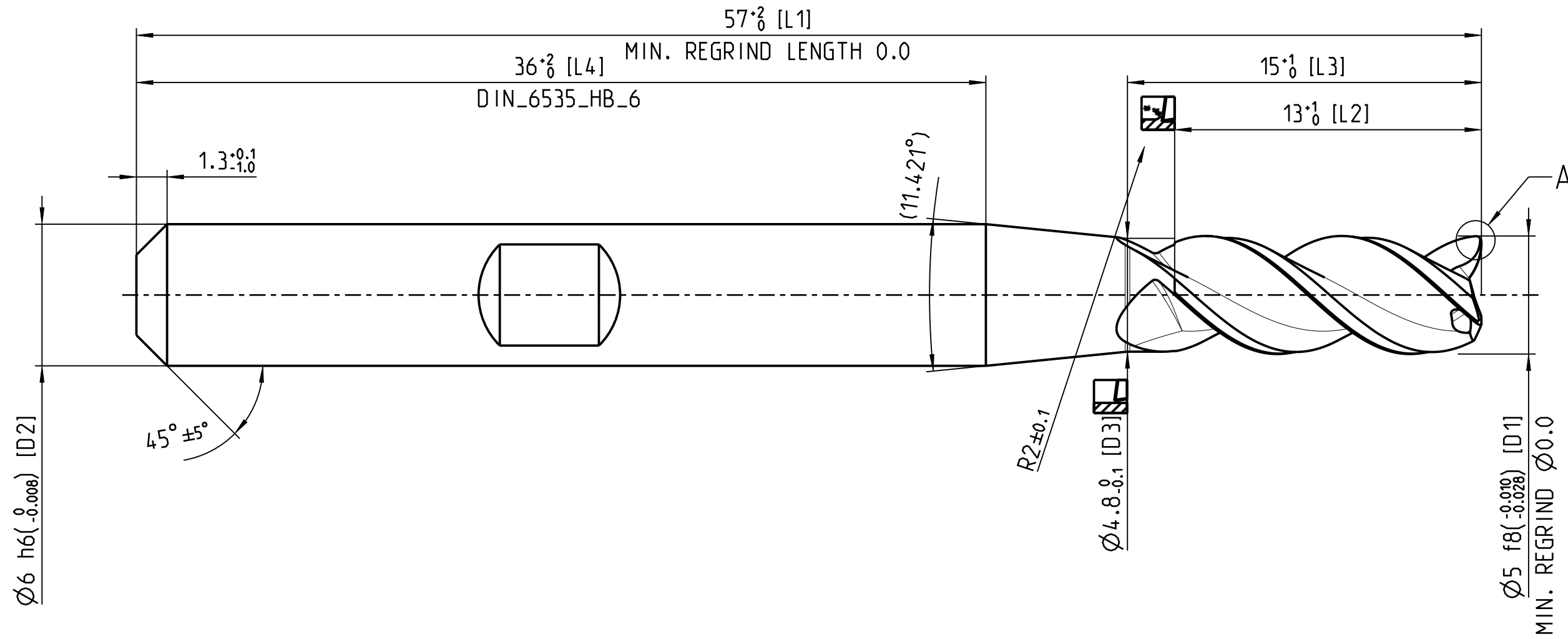
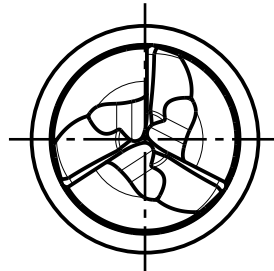
P/M/K

REGRINDING INFO	
TIP	NO
OUTER DIAMETER [D1]	NO
FLUTE	NO
NECK LENGTH [L3]	NO
NECK DIAMETER [D3]	NO
DECOATING	NO



INDEX	CHANGES	DATE	NAME

NON TOLERANCED DIMENSIONS					
0.5	> 3	> 6	> 30	> 120	> 400
...3	...6	...30	...120	...400	...1000
± 0.1	± 0.1	± 0.2	± 0.3	± 0.5	± 0.8
RADI. CHAMFERS					
± 0.2	± 0.5	± 1	± 1	± 1	± 1
ANGLES. DIM. OF THE SHORTER SIDE					
bis 10	> 10	> 50	> 120	> 400	> 400
...10	...50	...120	...400	...400	...400
± 1°	± 30'	± 20'	± 10'	± 10'	± 5'



MASS  
APPROX. 0.010 kg

MAPAL ©  
FABRIK FUER PRAEZISIONSWERKZEUGE DR. KRESS KG  
ALL RIGHTS FOR THE INVENTIONS, KNOW-HOW, TECHNICAL SOLUTIONS AND DESIGNS SHOWN ON THE DRAWING ARE ENTITLED TO MAPAL ONLY. AS FAR AS MAPAL DID NOT REGISTER PROPERTY RIGHTS HEREUPON YET, MAPAL FORMALLY RESERVES THE RIGHT FOR THE REGISTRATION OF PROPERTY RIGHTS. THE DRAWING AS WELL AS THE MATTERS SHOWN ARE STRICTLY CONFIDENTIAL. REPRODUCTIONS MAY ONLY BE MADE FOR THE PURPOSE AGREED UPON. NEITHER THIS DRAWING NOR COPIES THEREOF MAY BE MADE ACCESSIBLE TO THIRD PARTIES. WITH THE DELIVERY OF THIS DRAWING NO RIGHT TO USE IT FOR ANY PURPOSE IS GRANTED. VIOLATIONS AGAINST THE OBLIGATIONS TO SECRECY AND USE RESTRICTIONS WILL BE PROSECUTED.

TITLE  
OPTIMILL-UNI-HPC-POCKET, SHANKFORM HB, COATED

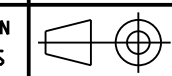


MAPAL  
Präzisionswerkzeuge  
Dr. Kress KG

DATE OF ISSUE	CREATED	DOCUMENT
2024-12-02	DESIGN A.	607804199-000-00-ED1
DATE	APPROVED	MATERIAL NUMBER
		31031150

GENERAL TOLERANCE ISO 2768-mH  
SIZE ISO 14405-1 Ⓢ

DIMENSIONS NOT SHOWN  
ARE MAPAL STANDARDS



SCALE  
5:1

TECHNICAL SPECIFICATION  
SCM810-0500Z03R-R0025HB-HP920

FORMAT  
A2  
INDEX  
00  
ORIGIN  
ALD  
SHEET  
1/1