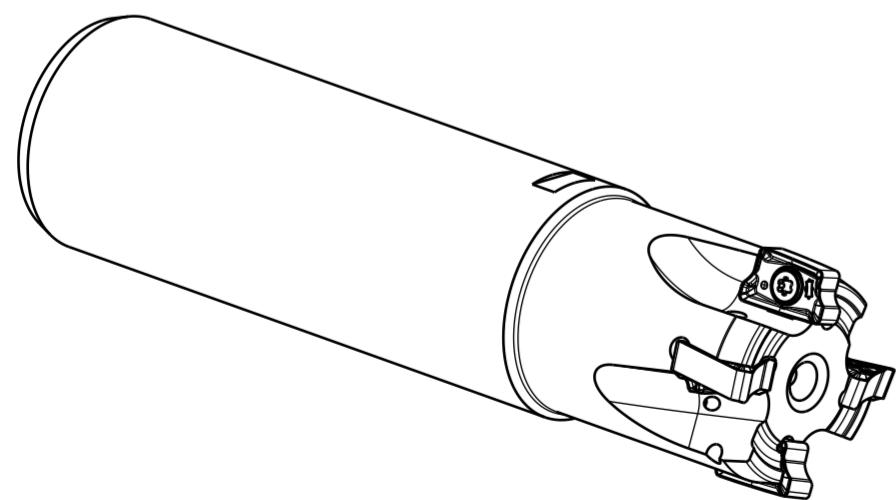
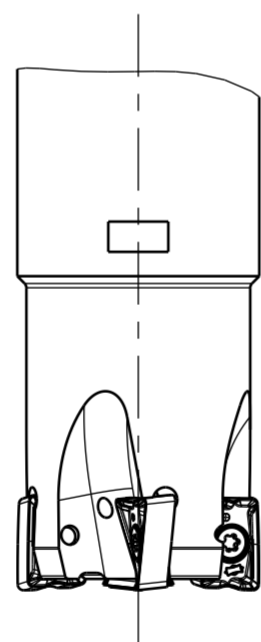
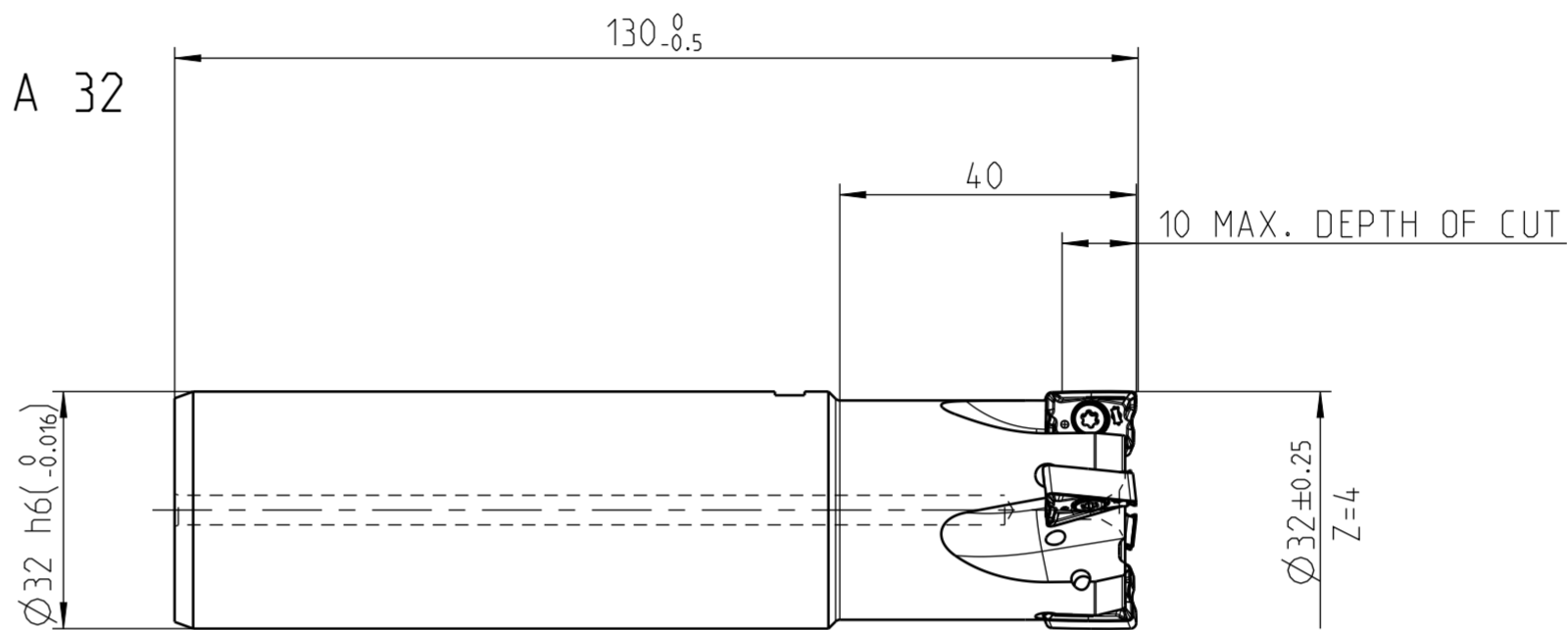
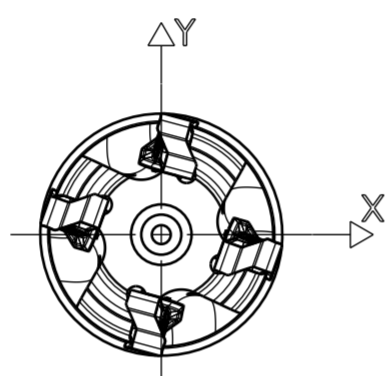


CLAMPING	SPARE PARTS	ALLOCATION OF PARTS	INDEX	CHANGES	DATE	NAME
		DIAMETER				
-	1	32				
-	-	-				
-	-	-				
-	-	-				
-	-	-				

UNEQUAL POSITIONING

DIN 1835 - A 32



PART	TYP	QUAN.	UT	MATERIAL NUMBER	DESCRIPTION	TECHNICAL SPECIFICATION	CUSTOMER NUMBER			
1		4		10105076	TORX-SCREW	MN659 M3X8.5-TX8-IP				
SCOPE OF DELIVERY INFORMATION						TIGHTENING TORQUE FOR MAPAL CLAMPING SCREWS PER MN678BL1				
INSERTS NOT INCLUDED										
MAPAL © FABRIK FUER PRAEZISIONSWERKZEUGE DR. KRESS KG					TITLE RADIAL MILLING PROGRAMME. BODY		FORMAT A2			
<small>ALL RIGHTS FOR THE INVENTIONS, KNOW-HOW, TECHNICAL SOLUTIONS AND DESIGNS SHOWN ON THE DRAWING ARE ENTITLED TO MAPAL ONLY. AS FAR AS MAPAL DID NOT REGISTER PROPERTY RIGHTS HEREUPON YET, MAPAL FORMALY RESERVES THE RIGHT FOR THE REGISTRATION OF PROPERTY RIGHTS. THE DRAWING AS WELL AS THE MATTERS SHOWN ARE STRICTLY CONFIDENTIAL. REPRODUCTIONS MAY ONLY BE MADE FOR THE PURPOSE AGREED UPON. NEITHER THIS DRAWING NOR COPIES THEREOF MAY BE MADE ACCESSIBLE TO THIRD PARTIES. WITH THE DELIVERY OF THIS DRAWING NO RIGHT TO USE IT FOR ANY PURPOSE IS GRANTED. VIOLATIONS AGAINST THE OBLIGATIONS TO SECRECY AND USE RESTRICTIONS WILL BE PROSECUTED.</small>					<b>MAPAL</b> Präzisionswerkzeuge Dr. Kress KG		DATE OF ISSUE 2018-10-31	CREATED KLA	DOCUMENT 607040936-000-01-ED1	INDEX 00
					GENERAL TOLERANCE ISO 2768-1H DIMENSIONS NOT SHOWN ARE MAPAL STANDARDS			SCALE 1:1	MATERIAL NUMBER <b>31002202</b>	SHEET 1/1
BALANCE GRADE PER DIN ISO 21940-11 G 6.3 / 3000 MIN <sup>-1</sup> MASS APPROX. 0.7 kg					TECHNICAL SPECIFICATION ICM901-032-HA32-Z04R-AN_LU12					