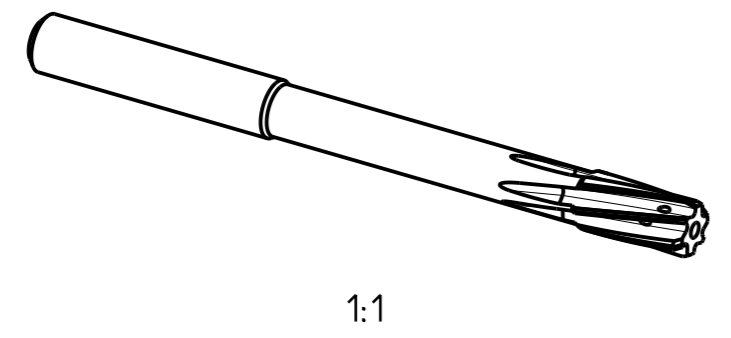
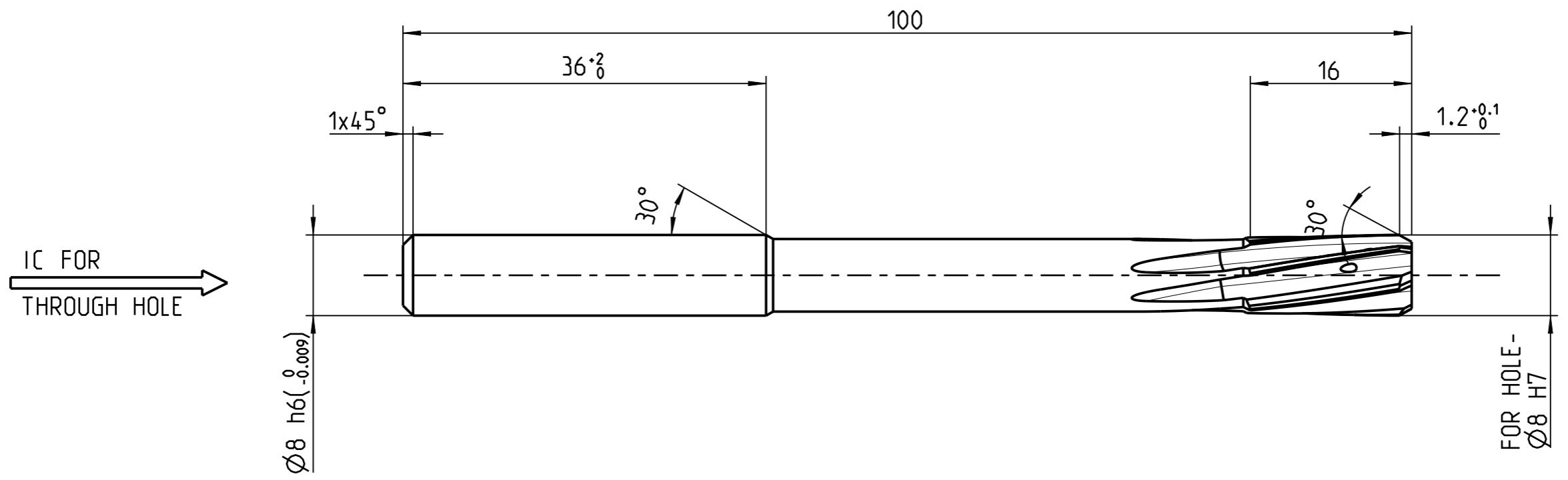


6 CUTTING EDGE, LEFT HAND SPIRAL, RIGHT HAND CUTTING

INDEX	CHANGES	DATE	NAME



MAPAL © FABRIK FUER PRAEZISIONSWERKZEUGE DR. KRESS KG  ALL RIGHTS FOR THE INVENTIONS, KNOW-HOW, TECHNICAL SOLUTIONS AND DESIGNS SHOWN ON THE DRAWING ARE ENTITLED TO MAPAL ONLY. AS FAR AS MAPAL DID NOT REGISTER PROPERTY RIGHTS HEREUPON YET, MAPAL FORMALLY RESERVES THE RIGHT FOR THE REGISTRATION OF PROPERTY RIGHTS. THE DRAWING AS WELL AS THE MATTERS SHOWN ARE STRICTLY CONFIDENTIAL. REPRODUCTIONS MAY ONLY BE MADE FOR THE PURPOSE AGREED UPON. NEITHER THIS DRAWING NOR COPIES THEREOF MAY BE MADE ACCESSIBLE TO THIRD PARTIES. WITH THE DELIVERY OF THIS DRAWING NO RIGHT TO USE IT FOR ANY PURPOSE IS GRANTED. VIOLATIONS AGAINST THE OBLIGATIONS TO SECRECY AND USE RESTRICTIONS WILL BE PROSECUTED.	TITLE <b>FIXREAM, SOLID CARBIDE</b>			FORMAT A3	
	MAPAL Präzisionswerkzeuge Dr. Kress KG	DATE OF ISSUE 21.01.21	CREATED W ID	DOCUMENT 607509756-000-00-ED1	INDEX
		DATE	APPROVED	MATERIAL NUMBER 30570673	ORIGIN W ID
	GENERAL TOLERANCE ISO 2768-FH SIZE ISO 14405-1 Ⓢ	DIMENSIONS NOT SHOWN ARE MAPAL STANDARDS	SCALE 2:1	TECHNICAL SPECIFICATION FXR510Ø8.000H7MG1M-HU612	SHEET 1/1