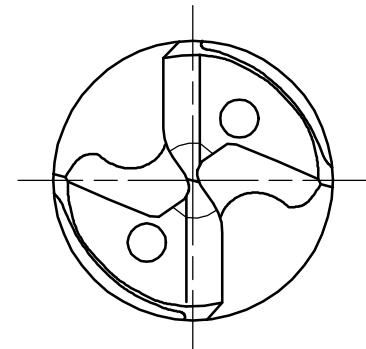


CUTTING NUMBER . . . : 2, RIGHT HAND CUT
 FLUTES : 30° HELICAL FLUTED ON $\phi 7.4$
 COATING : UNCOATED
 APPLICATION : SEE TOOL CATALOG
 MISSING SPECIFICATIONS ACCORDING
 TO EXPERIENCE OF MANUFACTURER.

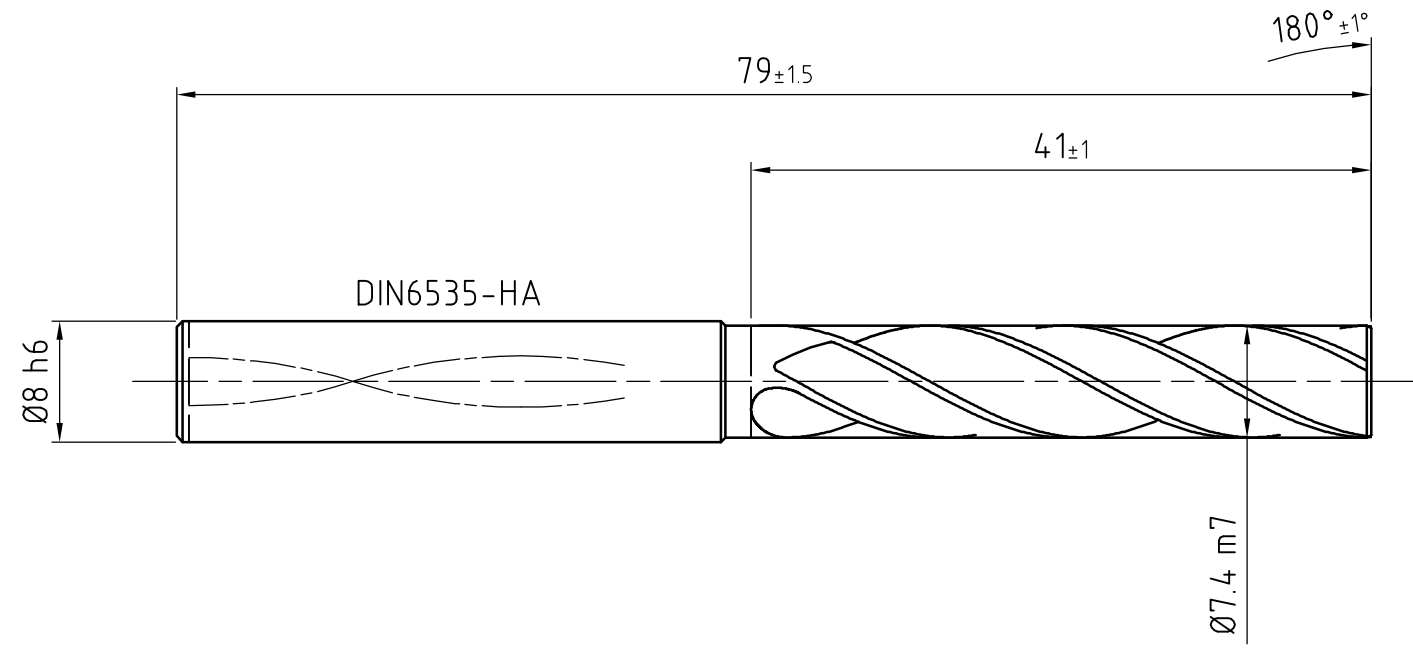
INDEX	CHANGES	DATE	NAME

4 FUEHRUNGSFASEN / 4 MARGINS

M 5:1
SCALE 5:1



MEGA-DRILL-180° ALU
MIT IK / WITH I.C.



SCHNEIDENZAHL . . . : 2, RECHTSSCHNEIDEND
 SPANNUT : 30° SPIRALISIERT AM $\phi 7.4$
 BESCHICHTUNG : UNBESCHICHTET
 ZU BEARB. WERKSTOFF: SIEHE WERKZEUGKATALOG
 FEHLENDE ANGABEN NACH ERFAHRUNG
 DES HERSTELLERS

MAPAL ©
 FABRIK FUER PRAEZISIONSWERKZEUGE DR. KRESS KG
 ALL RIGHTS FOR THE INVENTIONS, KNOW-HOW, TECHNICAL SOLUTIONS AND DESIGNS SHOWN ON THE DRAWING ARE ENTITLED TO MAPAL ONLY. AS FAR AS MAPAL DID NOT REGISTER PROPERTY RIGHTS HEREUPON YET, MAPAL FORMALLY RESERVES THE RIGHT FOR THE REGISTRATION OF PROPERTY RIGHTS. THE DRAWING AS WELL AS THE MATTERS SHOWN ARE STRICTLY CONFIDENTIAL. REPRODUCTIONS MAY ONLY BE MADE FOR THE PURPOSE AGREED UPON. NEITHER THIS DRAWING NOR COPIES THEREOF MAY BE MADE ACCESSIBLE TO THIRD PARTIES. WITH THE DELIVERY OF THIS DRAWING NO RIGHT TO USE IT FOR ANY PURPOSE IS GRANTED. VIOLATIONS AGAINST THE OBLIGATIONS TO SECRECY AND USE RESTRICTIONS WILL BE PROSECUTED.

TITLE MEGA-DRILL-180°, SHANK FORM HAK, UNCOATED		DATE OF ISSUE 2021-06-14	CREATED CJ	DOCUMENT 607567625-000-00-ED1	FORMAT A3
MILLER MILLER GmbH & Co. KG, Präzisionswerkzeuge		DATE	APPROVED	MATERIAL NUMBER 30382929	INDEX 00
GENERAL TOLERANCE ISO 2768-mH SIZE ISO 14405-1 (E)	DIMENSIONS NOT SHOWN ARE MAPAL STANDARDS		SCALE 2:1	TECHNICAL SPECIFICATION SCD241-0740-2-4-180HA03-HU630	ORIGIN ALD
				SHEET 1 / 1	