



OPTIMILL-UNI-HPC-PLUS

36° HELICAL FLUTET AT Ø8.00

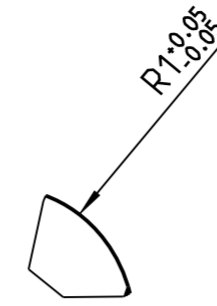
CUT MAT

HP920

MAT

P/M/K

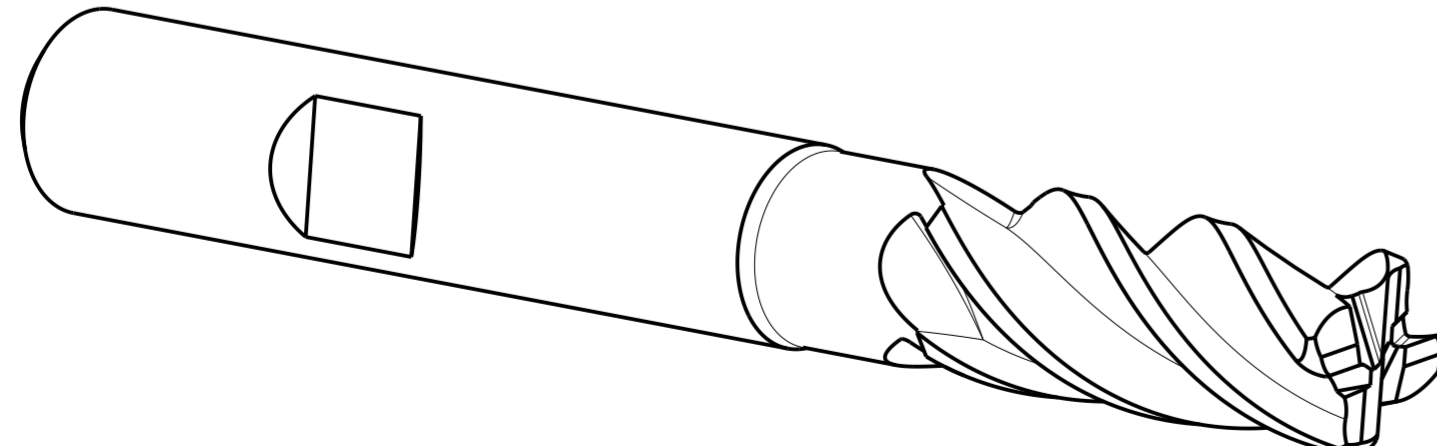
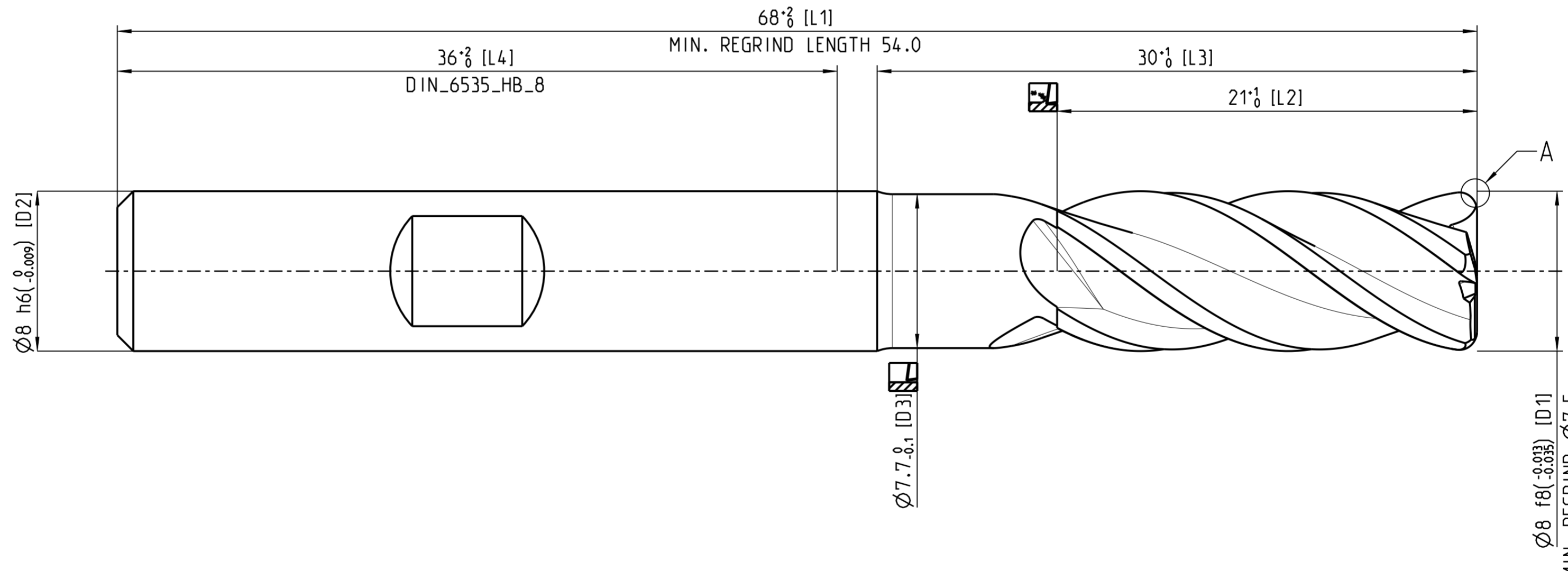
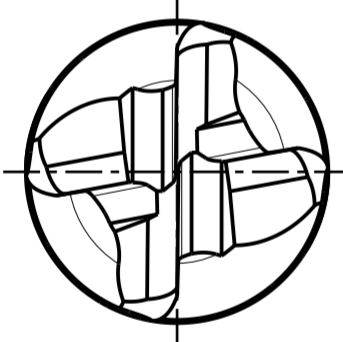
REGRINDING INFO	
TIP	YES
OUTER DIAMETER [D1]	YES
FLUTE	YES
NECK LENGTH [L3]	NO
NECK DIAMETER [D3]	YES
DECOATING	NO



A
20:1

INDEX	CHANGES	DATE	NAME

NON TOLERANCED DIMENSIONS					
0.5	> 3	> 6	> 30	> 120	> 400
...3	...6	...30	...120	...400	...1000
± 0.1	± 0.1	± 0.2	± 0.3	± 0.5	± 0.8
RADII, CHAMFERS					
± 0.2	± 0.5	± 1	± 1	± 1	± 1
ANGLES, DIM. OF THE SHORTER SIDE					
bis 10	> 10	> 50	> 120	> 400	> 400
...50	...120	...400	...400		
± 1°	± 30'	± 20'	± 10'	± 5'	



MASS
APPROX. 0.042 kg

MAPAL ©
FABRIK FUER PRAEZISIONSWERKZEUGE DR. KRESS KG
ALL RIGHTS FOR THE INVENTIONS, KNOW-HOW, TECHNICAL SOLUTIONS AND DESIGNS SHOWN ON THE DRAWING ARE ENTITLED TO MAPAL ONLY. AS FAR AS MAPAL DID NOT REGISTER PROPERTY RIGHTS HEREUPON YET, MAPAL FORMALLY RESERVES THE RIGHT FOR THE REGISTRATION OF PROPERTY RIGHTS. THE DRAWING AS WELL AS THE MATTERS SHOWN ARE STRICTLY CONFIDENTIAL. REPRODUCTIONS MAY ONLY BE MADE FOR THE PURPOSE AGREED UPON. NEITHER THIS DRAWING NOR COPIES THEREOF MAY BE MADE ACCESSIBLE TO THIRD PARTIES. WITH THE DELIVERY OF THIS DRAWING NO RIGHT TO USE IT FOR ANY PURPOSE IS GRANTED. VIOLATIONS AGAINST THE OBLIGATIONS TO SECRECY AND USE RESTRICTIONS WILL BE PROSECUTED.

TITLE		FORMAT	
OPTIMILL-UNI-HPC-PLUS. SHANKFORM HB. COATED		A2	
DATE OF ISSUE	CREATED	DOCUMENT	INDEX
2024-11-29	DESIGN A.	608170584-000-00-ED1	00
DATE	APPROVED	MATERIAL NUMBER	ORIGIN
		31046170	ALD
GENERAL TOLERANCE ISO 2768-mH	DIMENSIONS NOT SHOWN ARE MAPAL STANDARDS	SCALE	TECHNICAL SPECIFICATION
SIZE ISO 14405-1		5:1	SCM720-0800Z04R-R0100HB-HP920
			SHEET
			1/1