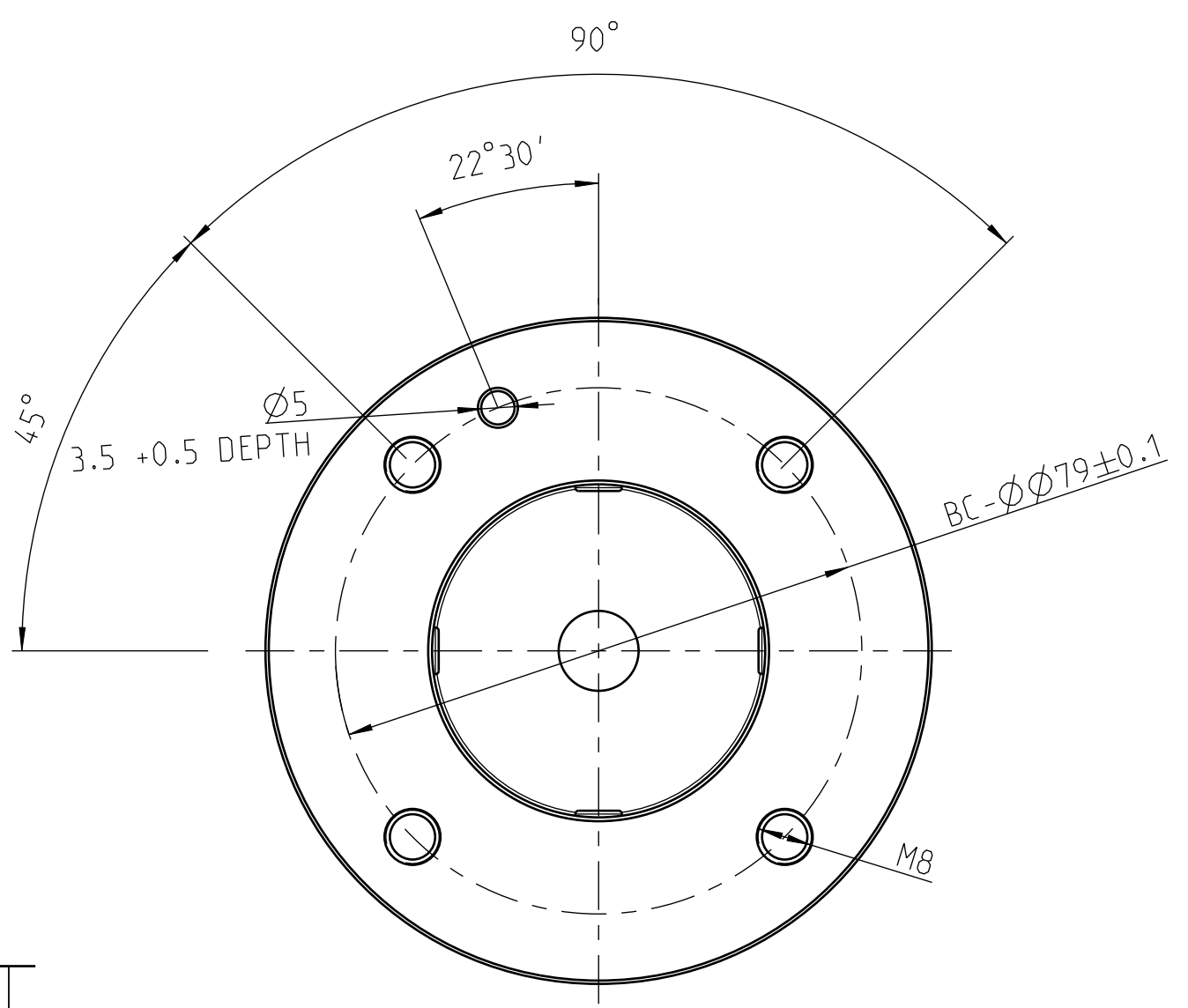


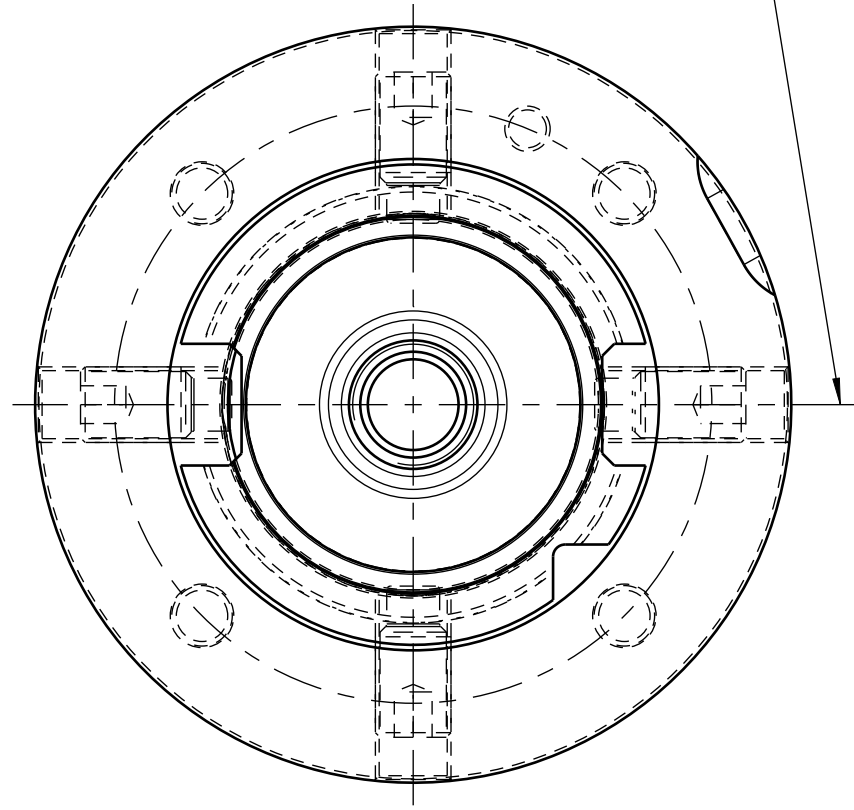
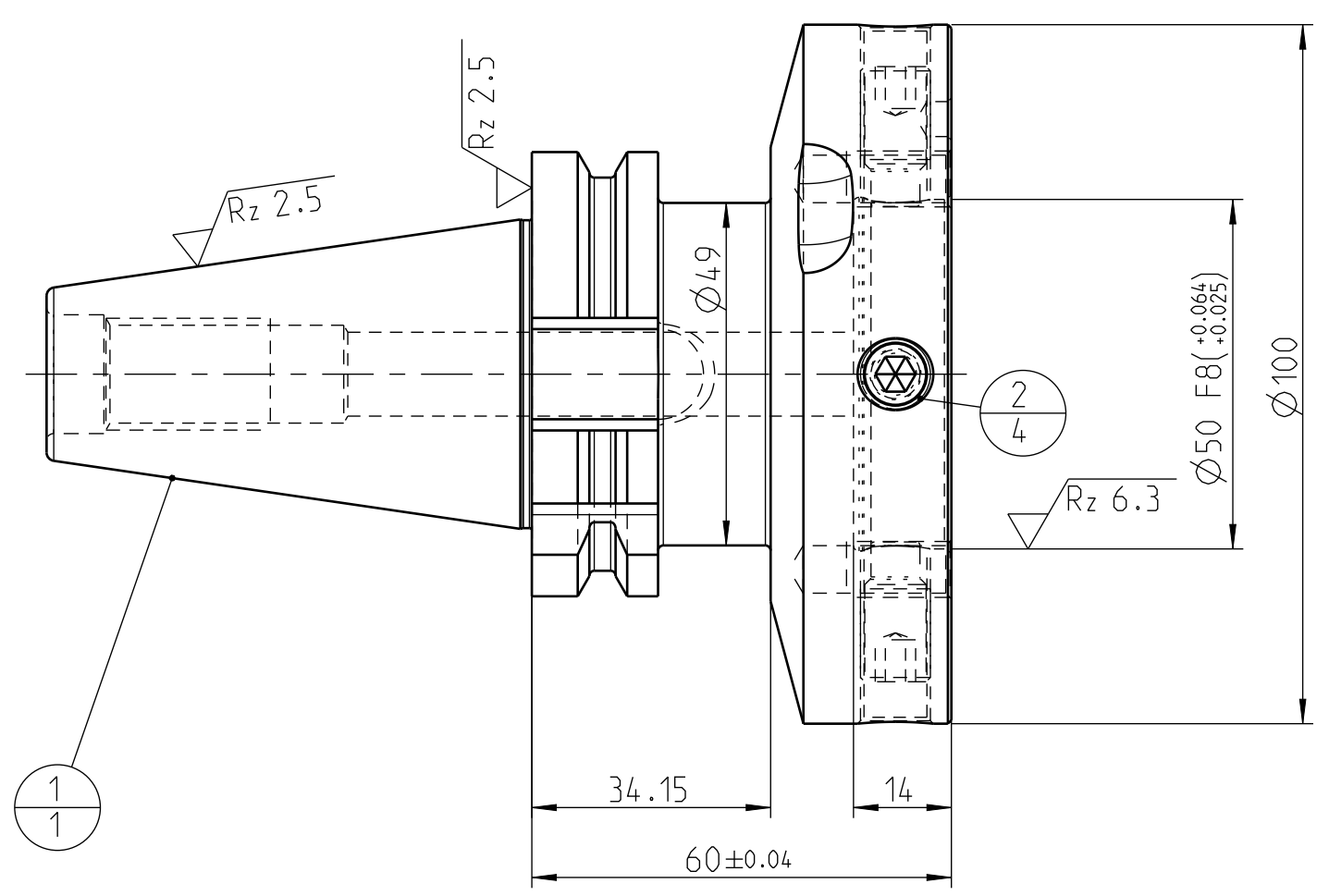
1	2	3	4	5	6	7	8	9	10	11	12		
									INDEX NO.	CHANGES		DATE	NAME
									ALLOCATION OF PARTS				
									DIAMETER				



MN683-AD40-FC
PER MN683-BL2

MODULE 100
MN5000-14

POSITION OF CUTTING EDGE
FOR TOOL WITH SINGLE CUTTING EDGE



CUSTOMER: _____
SIMILAR: _____
JOB-NO.: _____
PROJECT-NO.: _____
SKETCH: _____

$\sqrt{Rz 25}$ ($\sqrt{Rz 6.3}$ $\sqrt{Rz 2.5}$)
CASE HARDENED HRC 60 ± 2
DEPTH OF CASEHARDENING 0.8
THREAD SOFT

MACH.-NO.:	STATION:	SPINDLE:
PART-NAME:		
PART-NO.:		
MATERIAL:		
TOOL-NO.:	OP-NO.:	HOLE-NO.:

2	4	10075099	THREADED PIN	S.ISO 4028-M10X1X20-45H-KLF											
1	1		BODY												
PART	TYP	QUAN.	UT	MATERIAL NUMBER	DESCRIPTION	TECHNICAL SPECIFICATION	CUSTOMER NUMBER								
					BALANCE GRADE DIN ISO 1940-G 6.3 (COMPLETE ASSEMBLY) AT 3000 MIN ⁻¹	<small>THIS DRAWING REMAINS OUR EXCLUSIVE PROPERTY. IT IS ENTRUSTED ONLY FOR THE PURPOSE AGREED UPON AND MAY NOT BE USED FOR ANY OTHER PURPOSE. COPIES OR OTHER REPRODUCTIONS MAY ONLY BE MADE FOR THE PURPOSE AGREED UPON. NEITHER ORIGINALS NOR REPRODUCTIONS MAY BE TRANSMITTED OR OTHERWISE MADE ACCESSIBLE TO A THIRD PARTY WITHOUT OUR WRITTEN CONSENT.</small> MAPAL Präzisionswerkzeuge Dr. Kress KG	<table border="1"> <tr> <td>DATE</td> <td>NAME</td> </tr> <tr> <td>02.10.14</td> <td>BRT</td> </tr> <tr> <td>CHK.</td> <td></td> </tr> <tr> <td>APP.</td> <td></td> </tr> </table>	DATE	NAME	02.10.14	BRT	CHK.		APP.	
DATE	NAME														
02.10.14	BRT														
CHK.															
APP.															
ADDITIONALLY TO VA-NO. 07.05.01 MARK WITH:				<small>DIMENSIONAL TOLERANCES PER ISO 2768-F UNLESS OTHERWISE SPECIFIED</small>	<small>DIMENSIONS NOT SHOWN ARE MAPAL STANDARDS</small>	REGISTERED WITH GERMAN AND FOREIGN PATENT OFFICES	<table border="1"> <tr> <td>SCALE: 1:1</td> <td>A2</td> </tr> </table>	SCALE: 1:1	A2						
SCALE: 1:1	A2														
TITLE: STEEP TAPER ADAPTOR, FORM AD. WITH CONTACT FACE						ORIGIN: AA1	INDEX: 00								
TECHNICAL SPECIFICATION: OS-AD-AD-FC 040-MOD100-060-11			MATERIAL NUMBER: 30630799		DRAWING NO.: 606355612-001-00-ED1										
REPLACES DWG. NO.:			REPLACED BY DWG. NO.:		SHEET 1 OF 1 SHEETS										