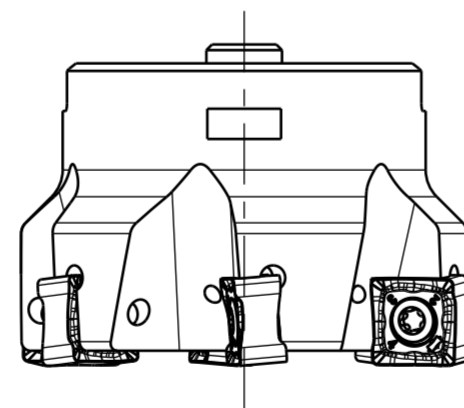
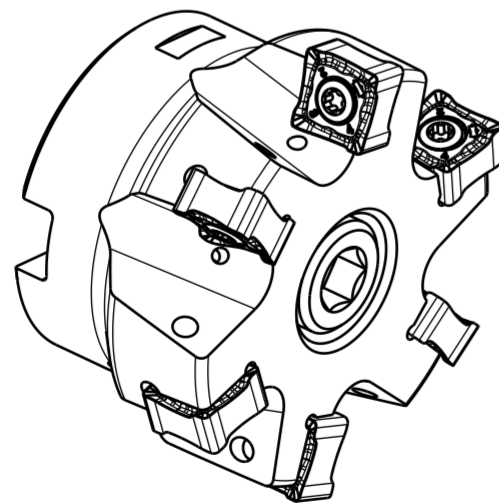
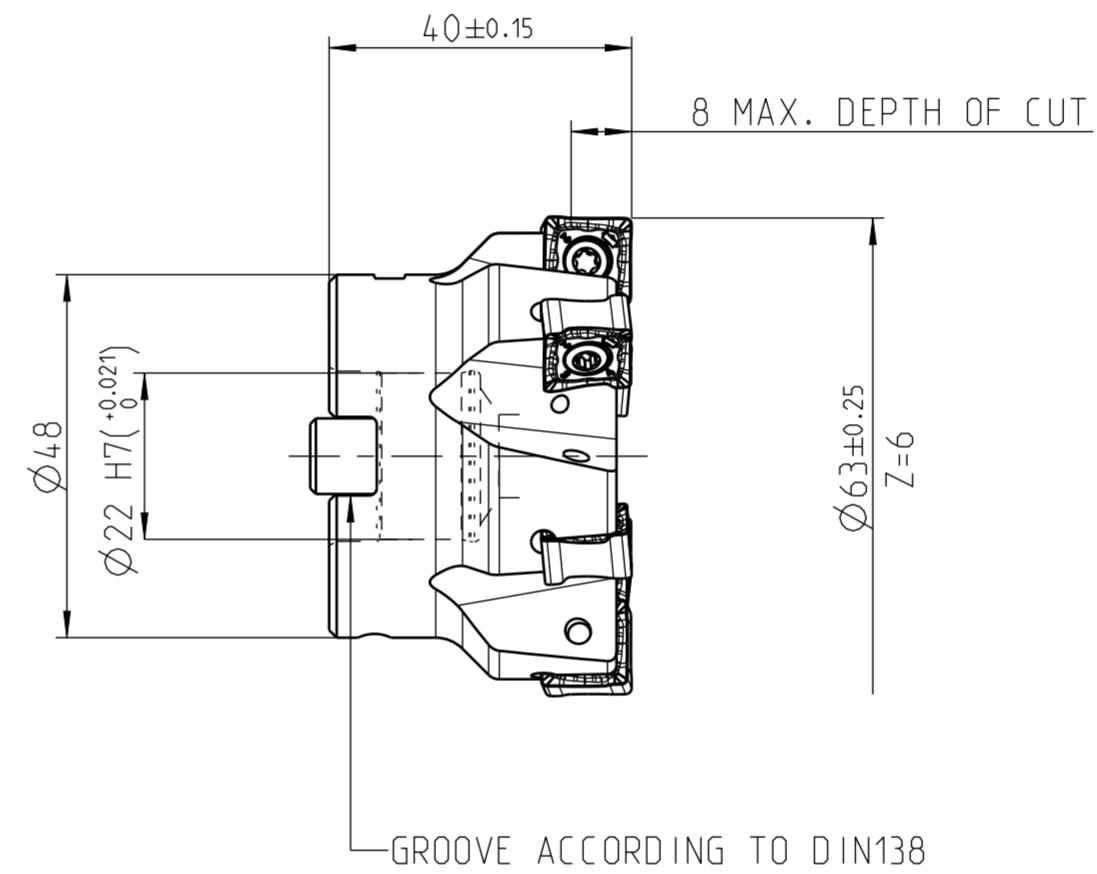
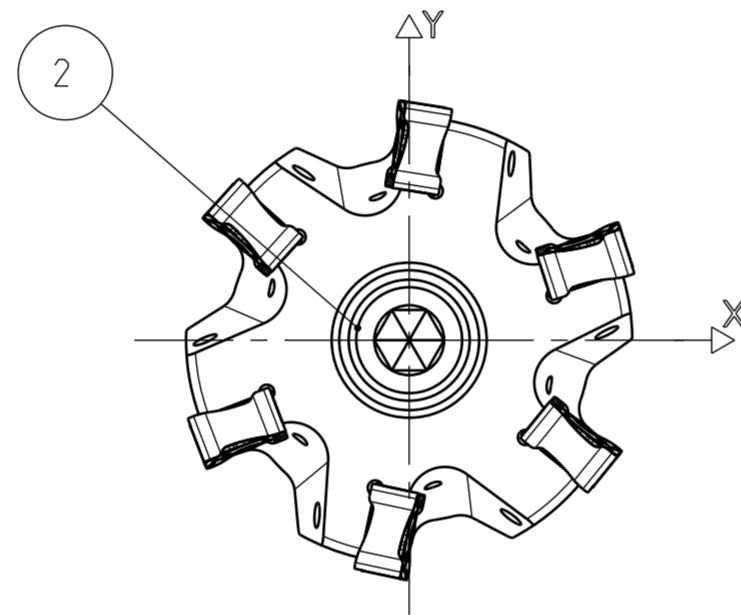


| CLAMPING | SPARE PARTS | ALLOCATION OF PARTS | INDEX | CHANGES | DATE | NAME |
|----------|-------------|---------------------|-------|---------|------|------|
|          |             | DIAMETER            |       |         |      |      |
| -        | 1           | 63                  |       |         |      |      |
| -        | -           | -                   |       |         |      |      |
| -        | -           | -                   |       |         |      |      |
| -        | -           | -                   |       |         |      |      |
| -        | -           | -                   |       |         |      |      |

UNEQUAL POSITIONING



| PART | TYP | QUAN. | UT | MATERIAL NUMBER | DESCRIPTION       | TECHNICAL SPECIFICATION  | CUSTOMER NUMBER |
|------|-----|-------|----|-----------------|-------------------|--------------------------|-----------------|
| -    | OPT | 1     |    | 31006800        | SOCKET HEAD SCREW | MN692BL4-M10X30-12.9- IK |                 |
| 2    |     | 1     |    | 10003660        | SOCKET HEAD SCREW | ISO 4762-M10X30-12.9     |                 |
| 1    |     | 6     |    | 10018468        | TORX-SCREW        | MN659 M4X11-TX15-IP      |                 |

| SCOPE OF DELIVERY INFORMATION   |  | BOM INFORMATION                                     |  | TIGHTENING TORQUE FOR MAPAL CLAMPING SCREWS |  |
|---|--|---|--|---|--|
| INSERTS NOT INCLUDED  |  | OPTIONAL PARTS (OPT) NOT INCLUDED SCOPE OF DELIVERY |  | PER MN678BL1                                |  |
| MAPAL ©<br>FABRIK FUER PRAEZISIONSWERKZEUGE DR. KRESS KG  |  | TITLE<br>RADIAL MILLING PROGRAMME. BODY             |  | DATE OF ISSUE<br>2018-11-13                 | INDEX<br>00  |
| <small>ALL RIGHTS FOR THE INVENTIONS, KNOW-HOW, TECHNICAL SOLUTIONS AND DESIGNS SHOWN ON THE DRAWING ARE ENTITLED TO MAPAL ONLY. AS FAR AS MAPAL DID NOT REGISTER PROPERTY RIGHTS HEREUPON YET, MAPAL FORMALLY RESERVES THE RIGHT FOR THE REGISTRATION OF PROPERTY RIGHTS. THE DRAWING AS WELL AS THE MATTERS SHOWN ARE STRICTLY CONFIDENTIAL. REPRODUCTIONS MAY ONLY BE MADE FOR THE PURPOSE AGREED UPON. NEITHER THIS DRAWING NOR COPIES THEREOF MAY BE MADE ACCESSIBLE TO THIRD PARTIES. WITH THE DELIVERY OF THIS DRAWING NO RIGHT TO USE IT FOR ANY PURPOSE IS GRANTED. VIOLATIONS AGAINST THE OBLIGATIONS TO SECRECY AND USE RESTRICTIONS WILL BE PROSECUTED.</small> |  | <b>MAPAL</b><br>Präzisionswerkzeuge<br>Dr. Kress KG |  | CREATED<br>KLA                              | DOCUMENT<br>607041007-000-02-ED1                       |
|   |  | GENERAL TOLERANCE ISO 2768-1H<br>SIZE ISO 14405-1   |  | DATE<br>2018-11-13                          | APPROVED   |
| BALANCE GRADE PER DIN ISO 21940-11<br>G 6.3 / 3000 MIN <sup>-1</sup><br>MASS<br>APPROX. 0.5 kg  |  | DIMENSIONS NOT SHOWN<br>ARE MAPAL STANDARDS         |  | SCALE<br>1:1                                | TECHNICAL SPECIFICATION<br>ICM901-063-CA22-Z06R-SN_U12 |
|   |  |   |  | SHEET<br>1/1                                |  |