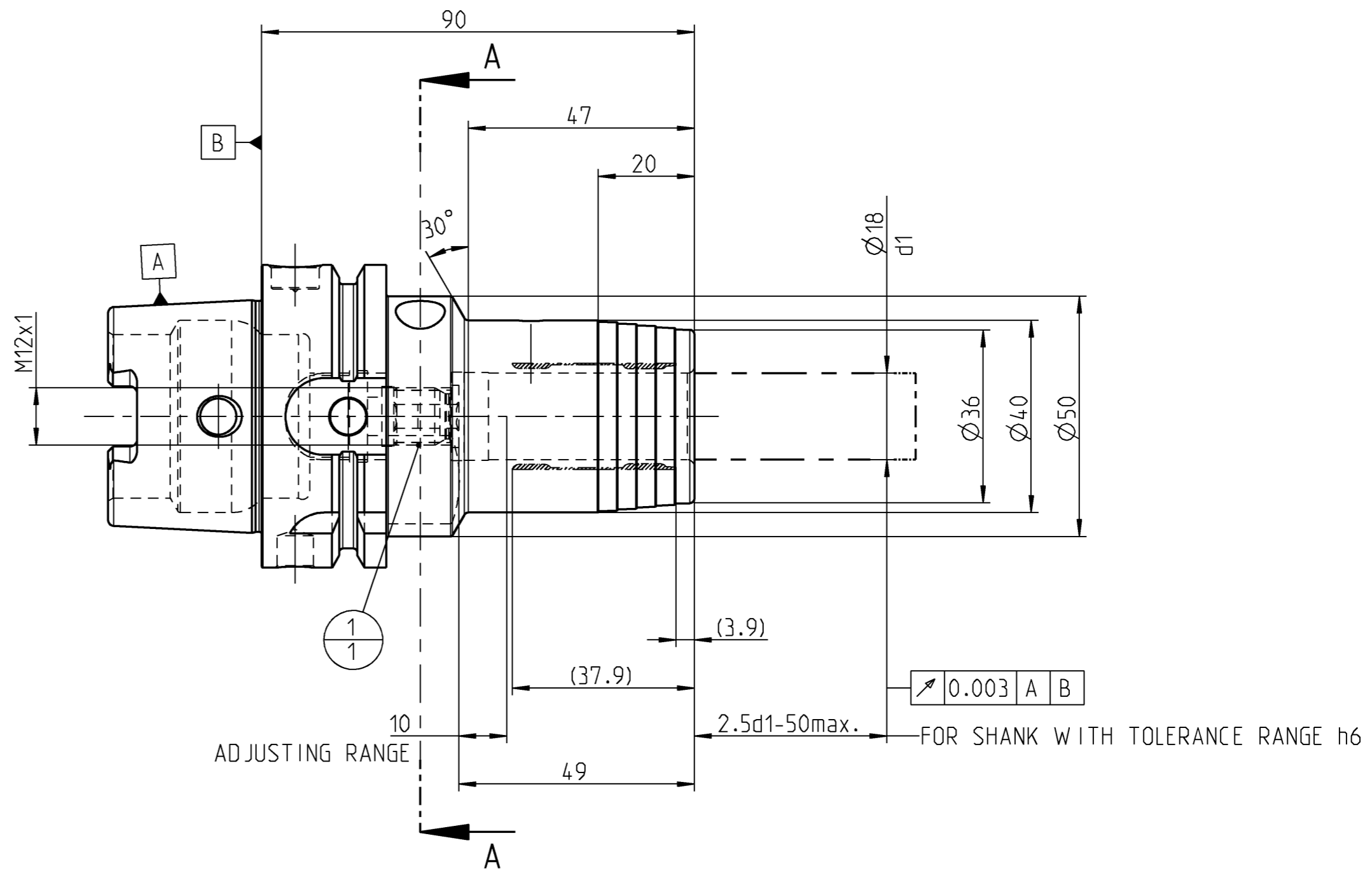
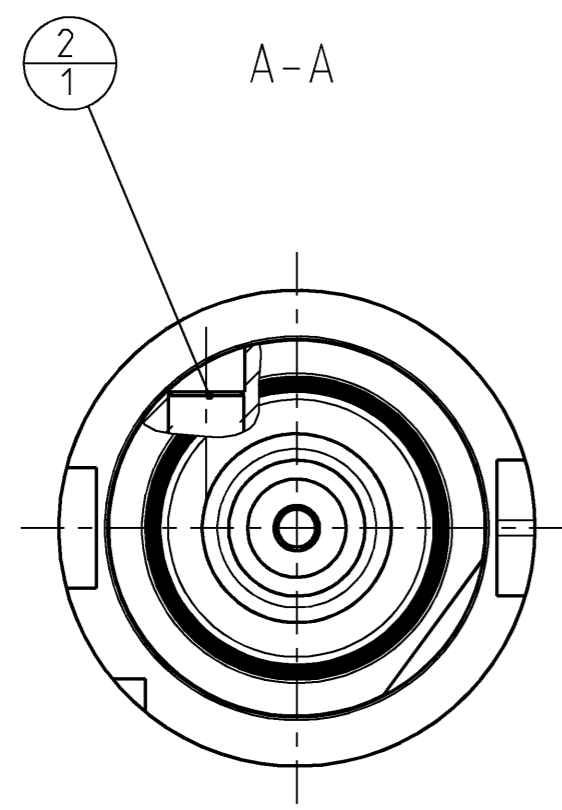


INDEX	CHANGES	DATE	NAME

MODULAR CONNECTION HSK-A63
(SIMILAR DIN 69893-1)
PER MN609 SHEET 2-4



PART	TYP	QUAN.	UT	MATERIAL NUMBER	DESCRIPTION	TECHNICAL SPECIFICATION	CUSTOMER NUMBER
2	1			10007041	THREADED PIN	S.ISO 4026-M10X1X12-45H	
1	1			30252543	STOP SCREW	M12X1 SW 5	

MAPAL © FABRIK FUER PRAEZISIONSWERKZEUGE DR. KRESS KG	TITLE HYDROCHUCK, HSK, SHORT SLIM DESIGN	DATE OF ISSUE 2020-06-25	CREATED SMU	DOCUMENT 607433441-000-00-ED1	INDEX 00
ALL RIGHTS FOR THE INVENTIONS, KNOW-HOW, TECHNICAL SOLUTIONS AND DESIGNS SHOWN ON THE DRAWING ARE ENTITLED TO MAPAL ONLY. AS FAR AS MAPAL DID NOT REGISTER PROPERTY RIGHTS HEREUPON YET, MAPAL FORMALLY RESERVES THE RIGHT FOR THE REGISTRATION OF PROPERTY RIGHTS. THE DRAWING AS WELL AS THE MATTERS SHOWN ARE STRICTLY CONFIDENTIAL. REPRODUCTIONS MAY ONLY BE MADE FOR THE PURPOSE AGREED UPON. NEITHER THIS DRAWING NOR COPIES THEREOF MAY BE MADE ACCESSIBLE TO THIRD PARTIES. WITH THE DELIVERY OF THIS DRAWING NO RIGHT TO USE IT FOR ANY PURPOSE IS GRANTED. VIOLATIONS AGAINST THE OBLIGATIONS TO SECRECY AND USE RESTRICTIONS WILL BE PROSECUTED.	MAPAL Präzisionswerkzeuge Dr. Kress KG	DATE	APPROVED	MATERIAL NUMBER 30251020	ORIGIN EHD
BALANCE GRADE PER DIN ISO 21940-11 G 2.5 / 25000 min ⁻¹	GENERAL TOLERANCE ISO 2768-1H SIZE ISO 14405-1Ⓢ	DIMENSIONS NOT SHOWN ARE MAPAL STANDARDS	SCALE 1:1	TECHNICAL SPECIFICATION MHC-HSK-A063-18-090-1-0-A	SHEET 1/1

30251020 CHECKHYDR-MHC-HSK-A063-18-090-1-0-A

607433441-000-00-ED1 / EHD / 30 / 611tig / 11.05.2025 / MUEHLERST1