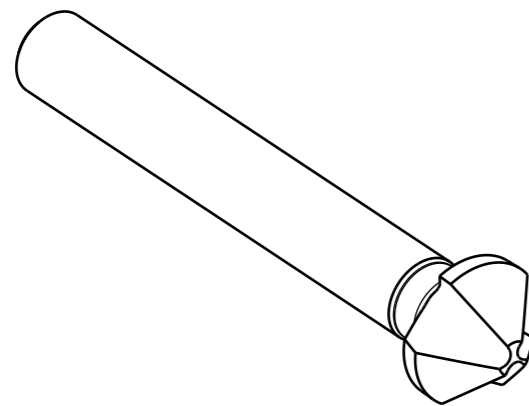
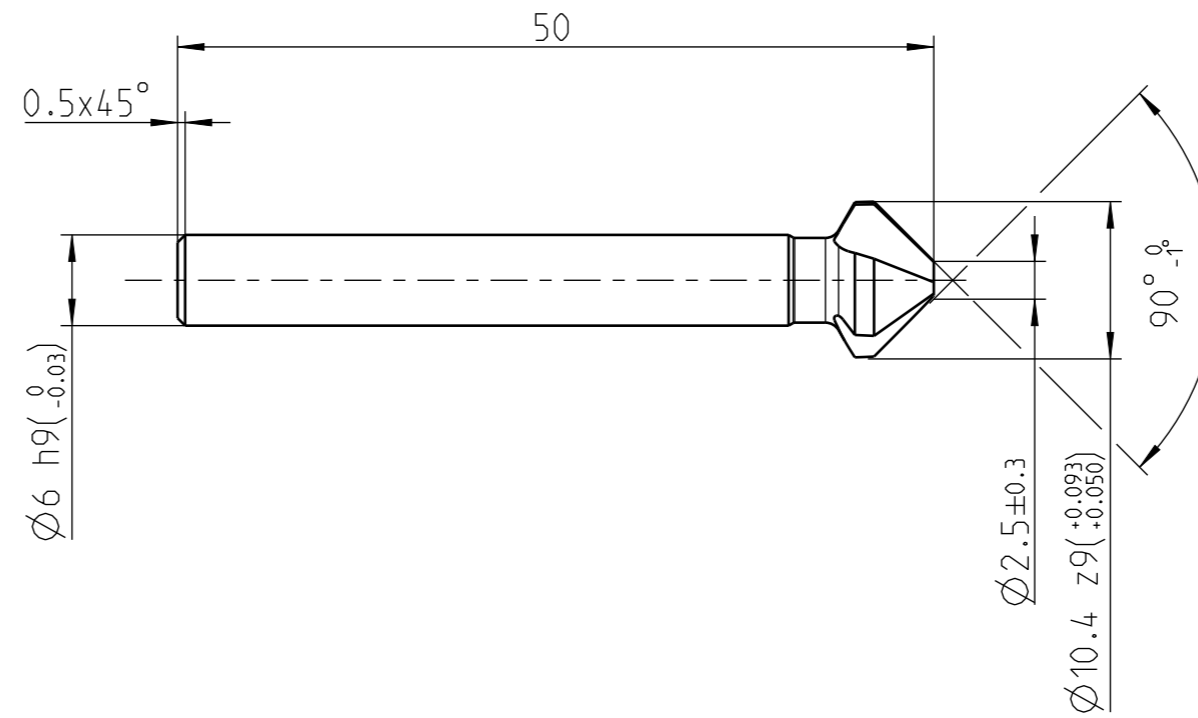


3 CUTTING EDGE, RIGHT HAND FLUTED, RIGHT HAND CUTTING

INDEX	CHANGES	DATE	NAME



PART	TYP	QUAN.	UT	MATERIAL NUMBER	DESCRIPTION	TECHNICAL SPECIFICATION	CUSTOMER NUMBER		
MAPAL © FABRIK FUER PRAEZISIONSWERKZEUGE DR. KRESS KG				TITLE TAPER COUNTERSINK, UNEQUAL DIVISION, HSS, COATED			FORMAT A3		
<small>ALL RIGHTS FOR THE INVENTIONS, KNOW-HOW, TECHNICAL SOLUTIONS AND DESIGNS SHOWN ON THE DRAWING ARE ENTITLED TO MAPAL ONLY. AS FAR AS MAPAL DID NOT REGISTER PROPERTY RIGHTS HEREUPON YET, MAPAL FORMALLY RESERVES THE RIGHT FOR THE REGISTRATION OF PROPERTY RIGHTS. THE DRAWING AS WELL AS THE MATTERS SHOWN ARE STRICTLY CONFIDENTIAL. REPRODUCTIONS MAY ONLY BE MADE FOR THE PURPOSE AGREED UPON. NEITHER THIS DRAWING NOR COPIES THEREOF MAY BE MADE ACCESSIBLE TO THIRD PARTIES. WITH THE DELIVERY OF THIS DRAWING NO RIGHT TO USE IT FOR ANY PURPOSE IS GRANTED. VIOLATIONS AGAINST THE OBLIGATIONS TO SECRECY AND USE RESTRICTIONS WILL BE PROSECUTED.</small>				<b>MAPAL</b> Präzisionswerkzeuge Dr. Kress KG		DATE OF ISSUE 2020-02-11	CREATED W ID	DOCUMENT 606677028-001-00-ED1	INDEX 00
						DATE	APPROVED	MATERIAL NUMBER 30633784	ORIGIN W ID
GENERAL TOLERANCE ISO 2768-fH				DIMENSIONS NOT SHOWN ARE MAPAL STANDARDS		SCALE 2:1	TECHNICAL SPECIFICATION COS110-1040-335C-SP345	SHEET 1/1	