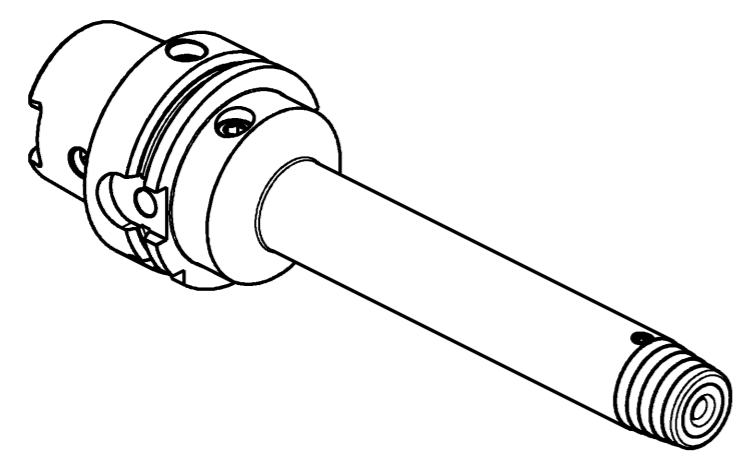
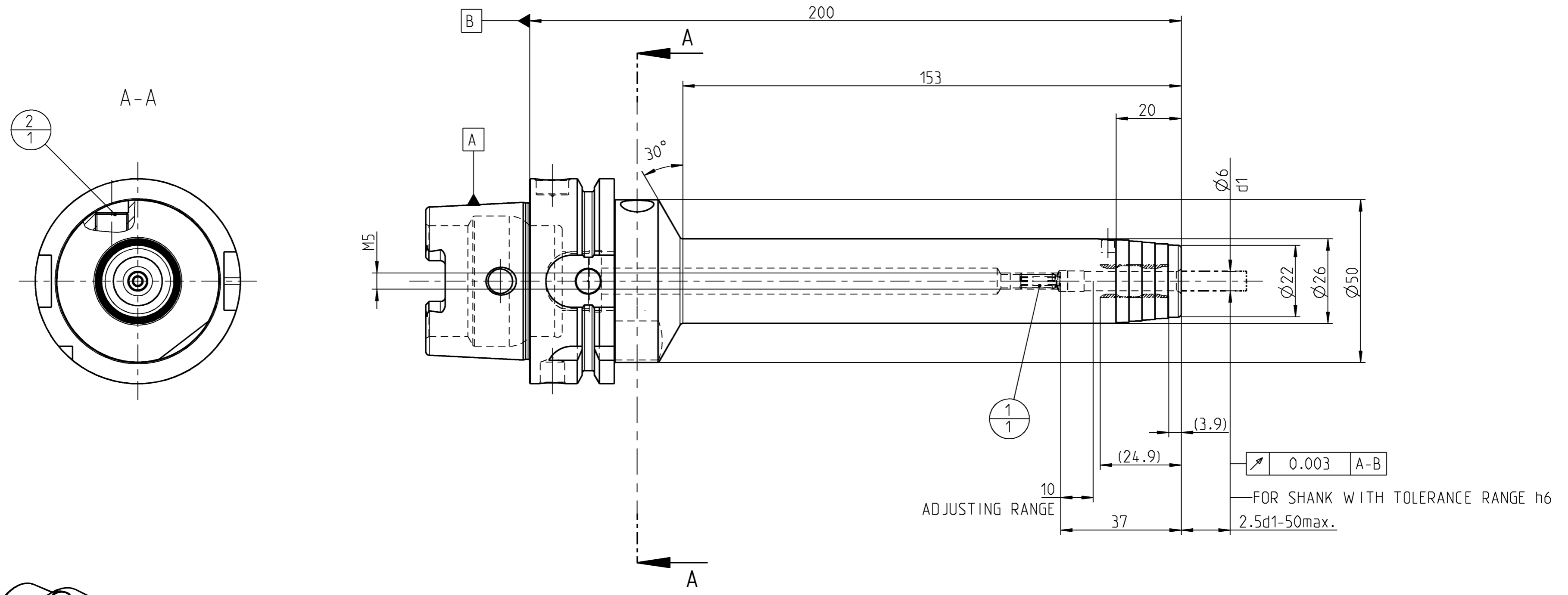


INDEX	CHANGES	DATE	NAME

MODULAR CONNECTION HSK-A63  
(SIMILAR DIN 69893-1)  
PER MN609 SHEET 2-4



1:2

PART	TYP	QUAN.	UT	MATERIAL NUMBER	DESCRIPTION	TECHNICAL SPECIFICATION	CUSTOMER NUMBER
2	1			10007041	THREADED PIN	S.ISO 4026-M10X12-45H	...
1	1			30252539	STOP SCREW	M5 SW 2.5	...

<b>MAPAL</b> © FABRIK FUER PRAEZISIONSWERKZEUGE DR. KRESS KG		<b>TITLE</b> HYDROCHUCK, HSK, LONG SLIM DESIGN			<b>FORMAT</b> A2	
<small>ALL RIGHTS FOR THE INVENTIONS, KNOW-HOW, TECHNICAL SOLUTIONS AND DESIGNS SHOWN ON THE DRAWING ARE ENTITLED TO MAPAL ONLY. AS FAR AS MAPAL DID NOT REGISTER PROPERTY RIGHTS HEREUPON YET, MAPAL FORMALLY RESERVES THE RIGHT FOR THE REGISTRATION OF PROPERTY RIGHTS. THE DRAWING AS WELL AS THE MATTERS SHOWN ARE STRICTLY CONFIDENTIAL. REPRODUCTIONS MAY ONLY BE MADE FOR THE PURPOSE AGREED UPON. NEITHER THIS DRAWING NOR COPIES THEREOF MAY BE MADE ACCESSIBLE TO THIRD PARTIES. WITH THE DELIVERY OF THIS DRAWING NO RIGHT TO USE IT FOR ANY PURPOSE IS GRANTED. VIOLATIONS AGAINST THE OBLIGATIONS TO SECRECY AND USE RESTRICTIONS WILL BE PROSECUTED.</small>		<b>MAPAL</b> Präzisionswerkzeuge Dr. Kress KG	<b>DATE OF ISSUE</b> 2025-03-04	<b>CREATED</b> SMU	<b>DOCUMENT</b> 608211210-000-00-ED1	<b>INDEX</b> 00
<b>GENERAL TOLERANCE</b> ISO 2768-IH <b>SIZE</b> ISO 14405-1 Ⓢ		<b>DIMENSIONS NOT SHOWN</b> ARE MAPAL STANDARDS	<b>SCALE</b> 1:1	<b>TECHNICAL SPECIFICATION</b> MHC-HSK-A063-06-200-1-0-A		<b>ORIGIN</b> EHD
<b>DATE</b> 2025-03-04		<b>APPROVED</b> LIM	<b>MATERIAL NUMBER</b> 30251152		<b>SHEET</b> 1/1	

BALANCE GRADE PER DIN ISO 21940-11  
G 2.5 / 25000 min<sup>-1</sup>  
**MASS**  
APPROX. 1.5 kg