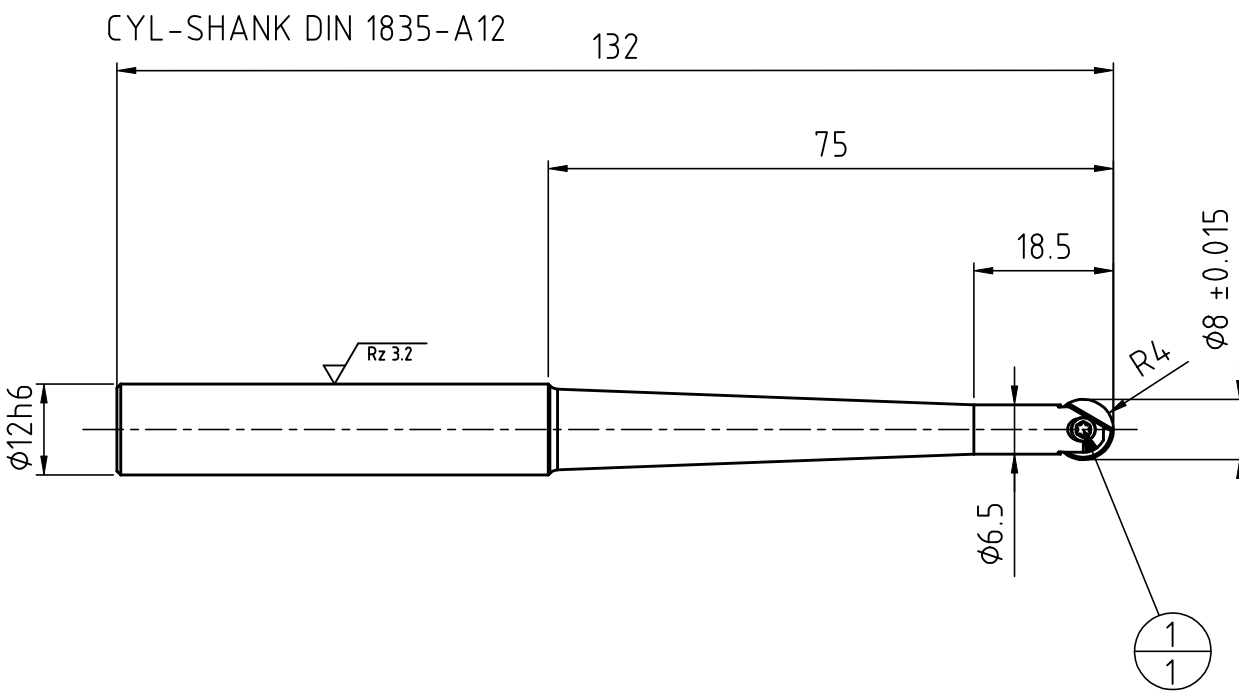
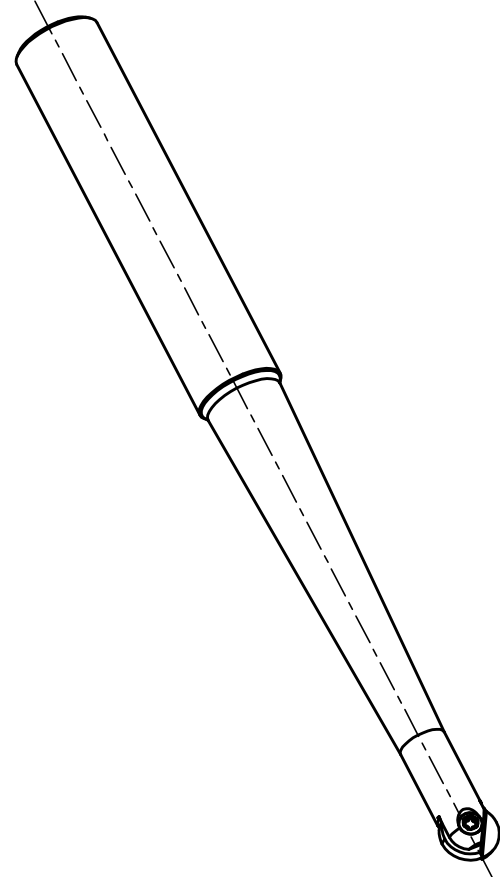


1	2		3	4	5	6		7	8		
					INDEX NO.		CHANGES		DATE	NAME	
					-		-		-	-	
					-		-		-	-	
					-		-		-	-	
					-		-		-	-	
					-		-		-	-	
A											A
B											B
C											C
D											D
E											E
F											F



JOB-NO.:  
PROJECT-NO.:  
SKETCH:  
CUST.:  
SIMILAR:

INSERT NOT INCLUDED

WEIGHT: 0,08Kg

-	-	-	-	-	-	-	-	-	-		
1	-	1	PC	31161844	TORX-SCREW	M2.5X6.25-TX7-IP	-	-	-		
PART	TYP	QUAN.	UT	MATERIAL NUMBER	DESCRIPTION	TECHNICAL SPECIFICATION	CUSTOMER NUMBER				
BALANCING GRADE DIN ISO 1940-G (COMPLETE ASSEMBLY) AT R.P.M. -1					THIS DRAWING REMAINS OUR EXCLUSIVE PROPERTY. IT IS ENTRUSTED ONLY FOR THE PURPOSE AGREED UPON AND MAY NOT BE USED FOR ANY OTHER PURPOSE. COPIES OR OTHER REPRODUCTIONS MAY ONLY BE MADE FOR THE PURPOSE AGREED UPON. NEITHER ORIGINALS NOR REPRODUCTIONS MAY BE TRANSMITTED OR OTHERWISE MADE ACCESSIBLE TO A THIRD PARTY WITHOUT OUR WRITTEN CONSENT.		 MAPAL Präzisionswerkzeuge Dr. Kress KG		DATE	NAME	
ADDITIONALLY TO VA-NO: 07.05.01 MARK WITH					DIMENSIONAL TOLERANCES PER ISO 2768-F UNLESS OTHERWISE SPECIFIED	DIMENSIONS NOT SHOWN ARE MAPAL STANDARD	REGISTERED WITH GERMAN AND FOREIGN PATENT OFFICES		SCALE: 1:1	FORMAT: A3	
MACH.NO. STATION: SPINDLE:					TITLE: BALL AND TORIC MILLING CUTTER, END MILLING CUTTER, INDEXABLE					ORIGIN AA1	
PART-NAME.: PART NO.: MATERIAL:					TECHNICAL SPECIFICATION IMB100-008-132-HA12-Z2R-BM 08		MATERIAL NUMBER.: 31144108		DRAWING NO.: 607326838-000-00-EN1		INDEX 00
OP-NO.: TOOL-NO.: HOLE-NO.:					REPLACES DWG. NO.:		REPLACED BY DWG. NO.:		SHEET V. SHEETS		