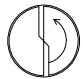



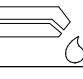
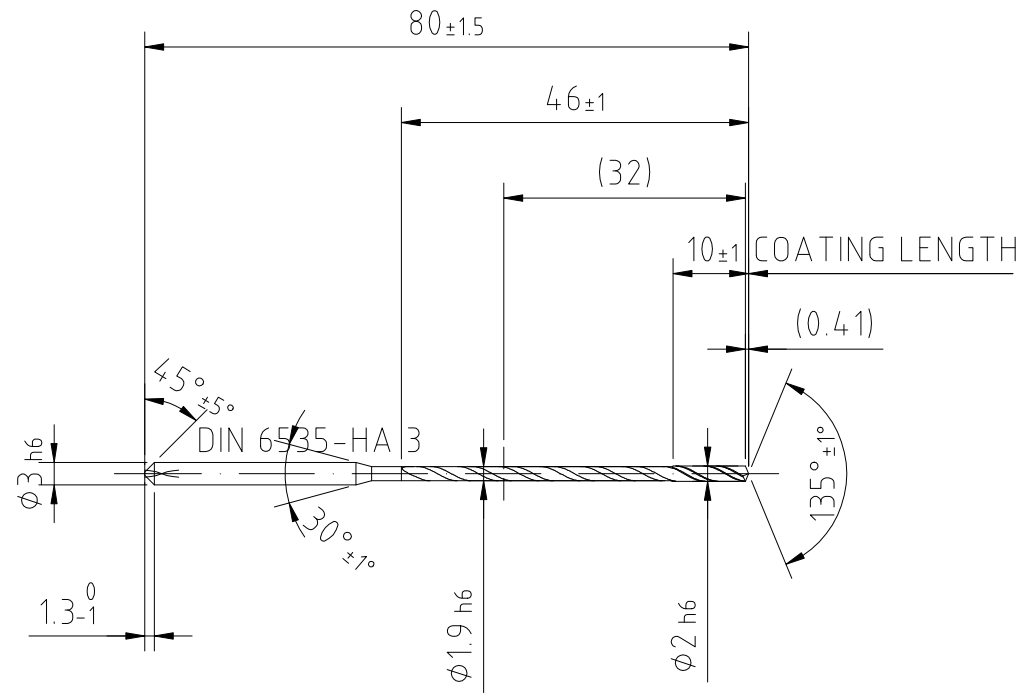



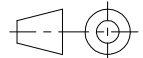
INDEX	CHANGES	DATE	NAME

NICHT TOLIERTE MASSE					
0.5	> 3	> 6	> 30	> 120	> 400
...3	...6	...30	...120	...400	...1000
± 0.1	± 0.1	± 0.2	± 0.3	± 0.5	± 0.8
RUNDUNGEN, FASEN					
± 0.2	± 0.5	± 1	± 1	± 1	± 1
WINKEL, MASSE DER KUERZEREN SCHENKEL					
bis 10	> 10	> 50	> 120	> 400	
...50	...120	...400			
± 1°	± 30'	± 20'	± 10'	± 5'	

-  MEGA-DEEP-DRILL
-  30° HELICAL FLUTE
-  HP246
-  SEE CATALG
-  WITH I.C.

SC 5:1 



BAUTEIL			MAPAL © FABRIK FUER PRAEZISIONSWERKZEUGE DR. KRESS KG			TITLE MEGA-DEEP-DRILL, SHANK FORM HAK, COATED /			FORMAT A3		
BEARBEITUNG			ALL RIGHTS FOR THE INVENTIONS, KNOW-HOW, TECHNICAL SOLUTIONS AND DESIGNS SHOWN ON THE DRAWING ARE ENTITLED TO MAPAL ONLY. AS FAR AS MAPAL DID NOT REGISTER PROPERTY RIGHTS HEREUPON YET, MAPAL FORMALLY RESERVES THE RIGHT FOR THE REGISTRATION OF PROPERTY RIGHTS. THE DRAWING AS WELL AS THE MATTERS SHOWN ARE STRICTLY CONFIDENTIAL. REPRODUCTIONS MAY ONLY BE MADE FOR THE PURPOSE AGREED UPON. NEITHER THIS DRAWING NOR COPIES THEREOF MAY BE MADE ACCESSIBLE TO THIRD PARTIES. WITH THE DELIVERY OF THIS DRAWING NO RIGHT TO USE IT FOR ANY PURPOSE IS GRANTED. VIOLATIONS AGAINST THE OBLIGATIONS TO SECRECY AND USE RESTRICTIONS WILL BE PROSECUTED.			 MAPAL Präzisionswerkzeuge Dr. Kress KG		DATE OF ISSUE 2022-10-18	CREATED SKO	DOCUMENT 607810117-000-00-ED1	INDEX 00
KUNDEN-BAUTEILBEZUG								DATE	APPROVED	MATERIAL NUMBER 30998806	ORIGIN ALD
BAUTEILWERKSTOFF SEE CATALOG	TOOL-NR.	OP-NR.	GENERAL TOLERANCE ISO 2768-mH SIZE ISO 14405-1 ©			DIMENSIONS NOT SHOWN ARE MAPAL STANDARDS		 SCALE 1:1	TECHNICAL SPECIFICATION SCD171-0200-2-4-135HA20-HP246	SHEET 1/1	