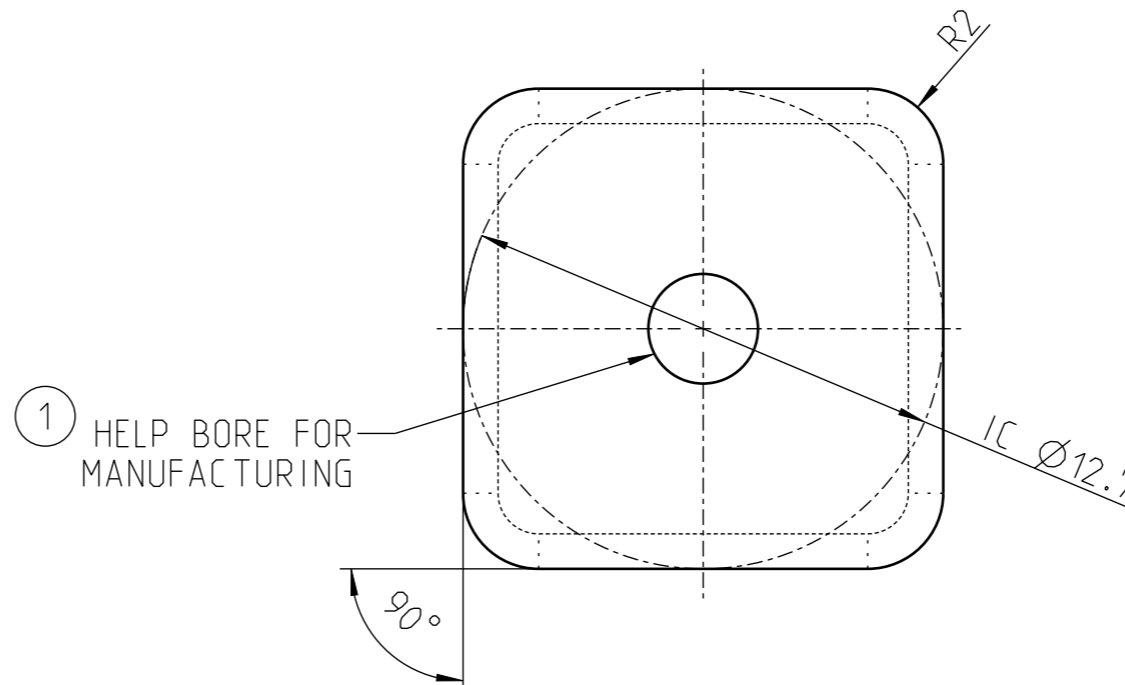
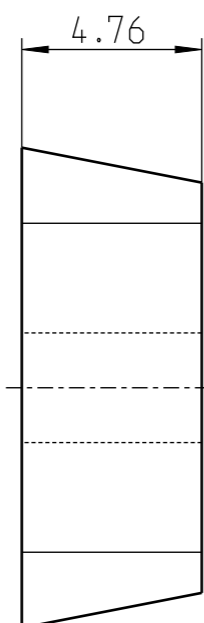


INDEX	CHANGES	DATE	NAME
1	ADD "HELP BORE FOR MANUFACTURING"; PER ECN FROM 2023-11-08.MR.W INTER	2023-12-04	BAB



CUTTING EDGES BRUSHED

MAPAL © FABRIK FUER PRAEZISIONSWERKZEUGE DR. KRESS KG	TITLE <b>INDEXABLE INSERT, CARBIDE, COATED</b>			FORMAT A3	
	<small>ALL RIGHTS FOR THE INVENTIONS, KNOW-HOW, TECHNICAL SOLUTIONS AND DESIGNS SHOWN ON THE DRAWING ARE ENTITLED TO MAPAL ONLY. AS FAR AS MAPAL DID NOT REGISTER PROPERTY RIGHTS HEREUPON YET, MAPAL FORMALLY RESERVES THE RIGHT FOR THE REGISTRATION OF PROPERTY RIGHTS. THE DRAWING AS WELL AS THE MATTERS SHOWN ARE STRICTLY CONFIDENTIAL. REPRODUCTIONS MAY ONLY BE MADE FOR THE PURPOSE AGREED UPON. NEITHER THIS DRAWING NOR COPIES THEREOF MAY BE MADE ACCESSIBLE TO THIRD PARTIES. WITH THE DELIVERY OF THIS DRAWING NO RIGHT TO USE IT FOR ANY PURPOSE IS GRANTED. VIOLATIONS AGAINST THE OBLIGATIONS TO SECRECY AND USE RESTRICTIONS WILL BE PROSECUTED.</small>	<b>MAPAL</b> <b>Präzisionswerkzeuge</b> <b>Dr. Kress KG</b>	DATE OF ISSUE 2018-10-09	CREATED ALW	DOCUMENT 607806717-000-01-ED1
GENERAL TOLERANCE ISO 2768-fH SIZE ISO 14405-1 Ⓢ			DIMENSIONS NOT SHOWN ARE MAPAL STANDARDS		APPROVED 
			SCALE 5:1	TECHNICAL SPECIFICATION SPGN120420E02N-0A-HP968	SHEET 1/1