



MEGA-QUADRO-DRILL-PLUS

31° HELICAL FLUTET AT Ø8.80

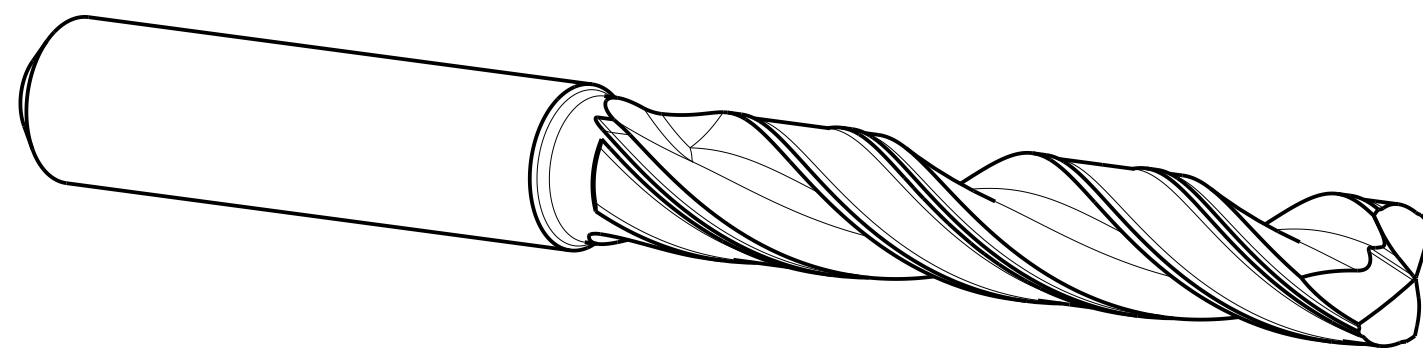
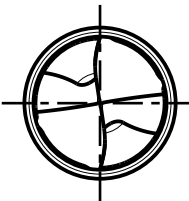
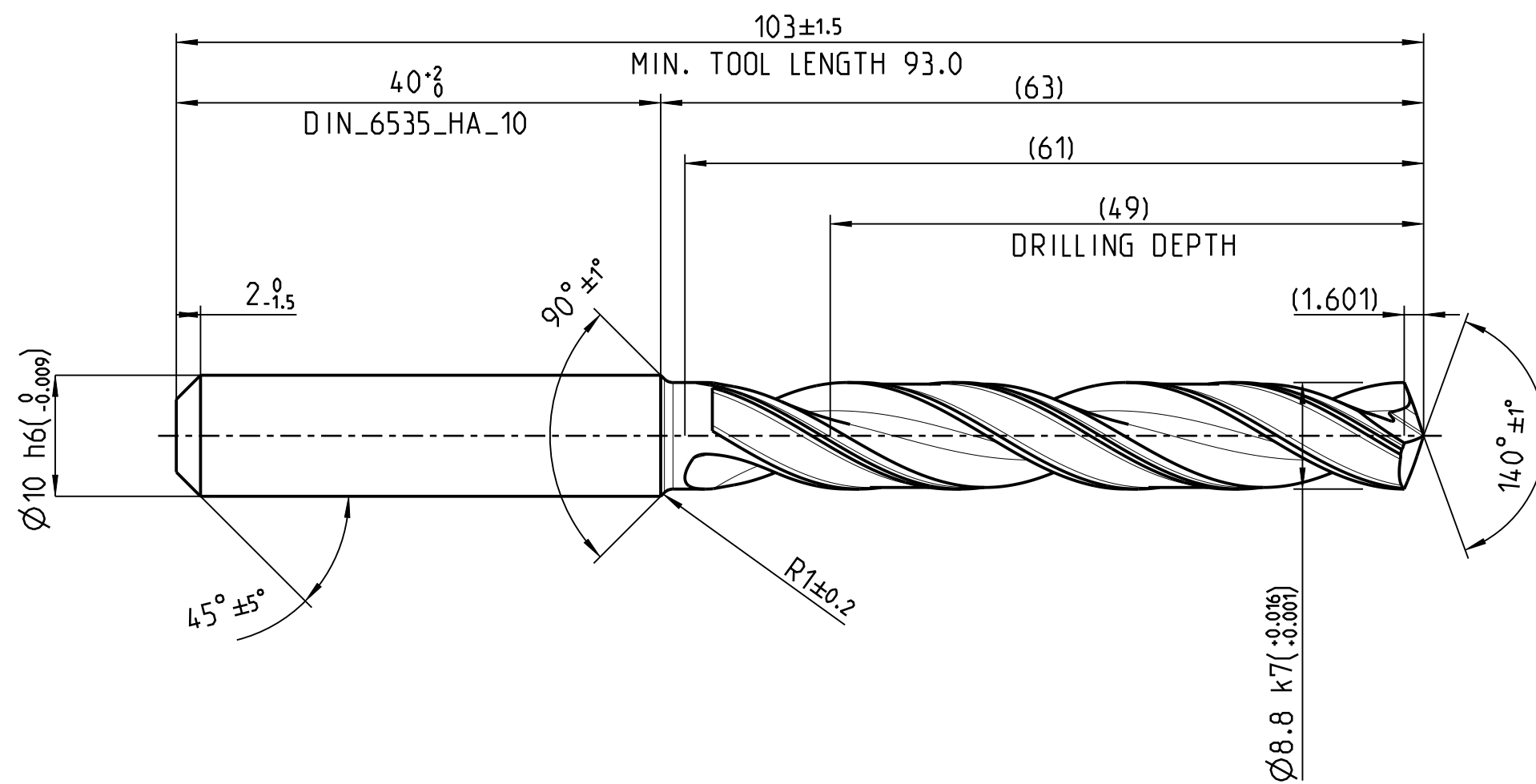
CUT  
MAT

HP358

MAT

P/K

INDEX	CHANGES	DATE	NAME



MASSE  
C.A. 0.082 kg

MAPAL © FABRIK FUER PRAEZISIONSWERKZEUGE DR. KRESS KG <small>ALL RIGHTS FOR THE INVENTIONS, KNOW-HOW, TECHNICAL SOLUTIONS AND DESIGNS SHOWN ON THE DRAWING ARE ENTITLED TO MAPAL ONLY. AS FAR AS MAPAL DID NOT REGISTER PROPERTY RIGHTS HEREUPON YET, MAPAL FORMALLY RESERVES THE RIGHT FOR THE REGISTRATION OF PROPERTY RIGHTS. THE DRAWING AS WELL AS THE MATTERS SHOWN ARE STRICTLY CONFIDENTIAL. REPRODUCTIONS MAY ONLY BE MADE FOR THE PURPOSE AGREED UPON. NEITHER THIS DRAWING NOR COPIES THEREOF MAY BE MADE ACCESSIBLE TO THIRD PARTIES. WITH THE DELIVERY OF THIS DRAWING NO RIGHT TO USE IT FOR ANY PURPOSE IS GRANTED. VIOLATIONS AGAINST THE OBLIGATIONS TO SECRECY AND USE RESTRICTIONS WILL BE PROSECUTED.</small>	TITLE <b>MEGA-QUADRO-DRILL PLUS, SHANKFORM HA, COATED</b>			FORMAT A2
	<b>MAPAL</b> Präzisionswerkzeuge Dr. Kress KG	DATE OF ISSUE 2025-03-01	CREATED DESIGN A.	DOCUMENT 608210434-000-00-ED1
GENERAL TOLERANCE ISO 2768-1H SIZE ISO 14405-1	DIMENSIONS NOT SHOWN ARE MAPAL STANDARDS	SCALE 2:1	MATERIAL NUMBER <b>31052689</b>	ORIGIN ALD
TECHNICAL SPECIFICATION SCD610-0880-2-4-140HA05-HP358			SHEET 1/1	