



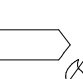
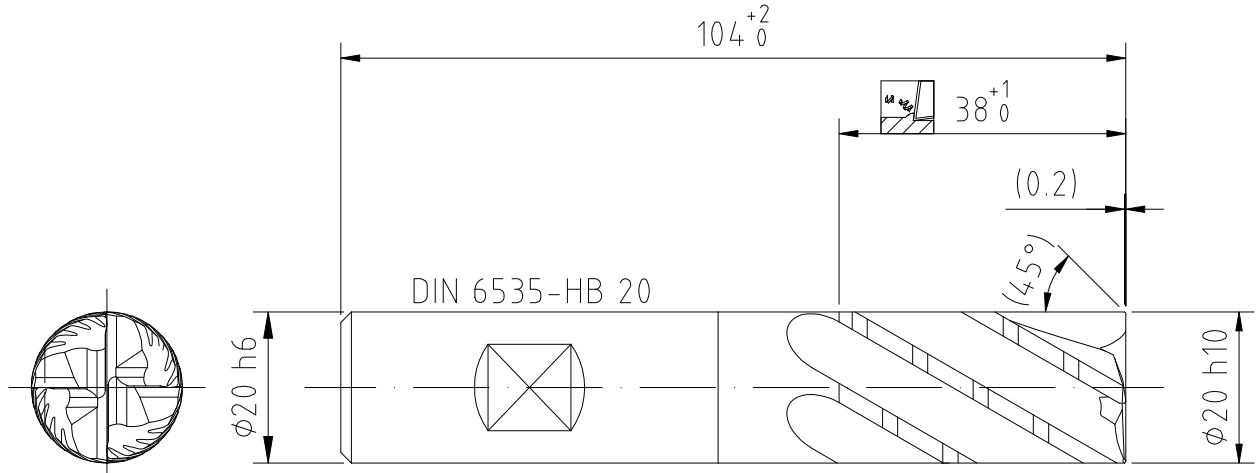


1	2	3	4	5	6	7	8		
A						INDEX	CHANGES	DATE	NAME
B									
C									
D									
E									
F									

-  OPTIMILL -UNI-ROUGH & FINISH
-  30° HELICAL
-  HP213
-  SEE CATALOG
-  WITHOUT I.C.



MAPAL © FABRIK FUER PRAEZISIONSWERKZEUGE DR. KRESS KG <small>ALL RIGHTS FOR THE INVENTIONS, KNOW-HOW, TECHNICAL SOLUTIONS AND DESIGNS SHOWN ON THE DRAWING ARE ENTITLED TO MAPAL ONLY. AS FAR AS MAPAL DID NOT REGISTER PROPERTY RIGHTS HEREUPON YET, MAPAL FORMALLY RESERVES THE RIGHT FOR THE REGISTRATION OF PROPERTY RIGHTS. THE DRAWING AS WELL AS THE MATTERS SHOWN ARE STRICTLY CONFIDENTIAL. REPRODUCTIONS MAY ONLY BE MADE FOR THE PURPOSE AGREED UPON. NEITHER THIS DRAWING NOR COPIES THEREOF MAY BE MADE ACCESSIBLE TO THIRD PARTIES. WITH THE DELIVERY OF THIS DRAWING NO RIGHT TO USE IT FOR ANY PURPOSE IS GRANTED. VIOLATIONS AGAINST THE OBLIGATIONS TO SECRECY AND USE RESTRICTIONS WILL BE PROSECUTED.</small>	TITLE ECUMILL -UNI-ROUGH & FINISH, SCHAFT HB, SC, COATED			FORMAT A3	
	 MAPAL Präzisionswerkzeuge Dr. Kress KG	DATE OF ISSUE 2022-02-28	CREATED MK	DOCUMENT 607683571-000-00-ED1	INDEX 00
GENERAL TOLERANCE ISO 2768-mH SIZE ISO 14405-1 Ⓔ		DIMENSIONS NOT SHOWN ARE MAPAL STANDARDS		APPROVED 	MATERIAL NUMBER 30393478
			SCALE 1:1	TECHNICAL SPECIFICATION SCM220-2000Z04R-F0020HB-HP213	SHEET 1/1