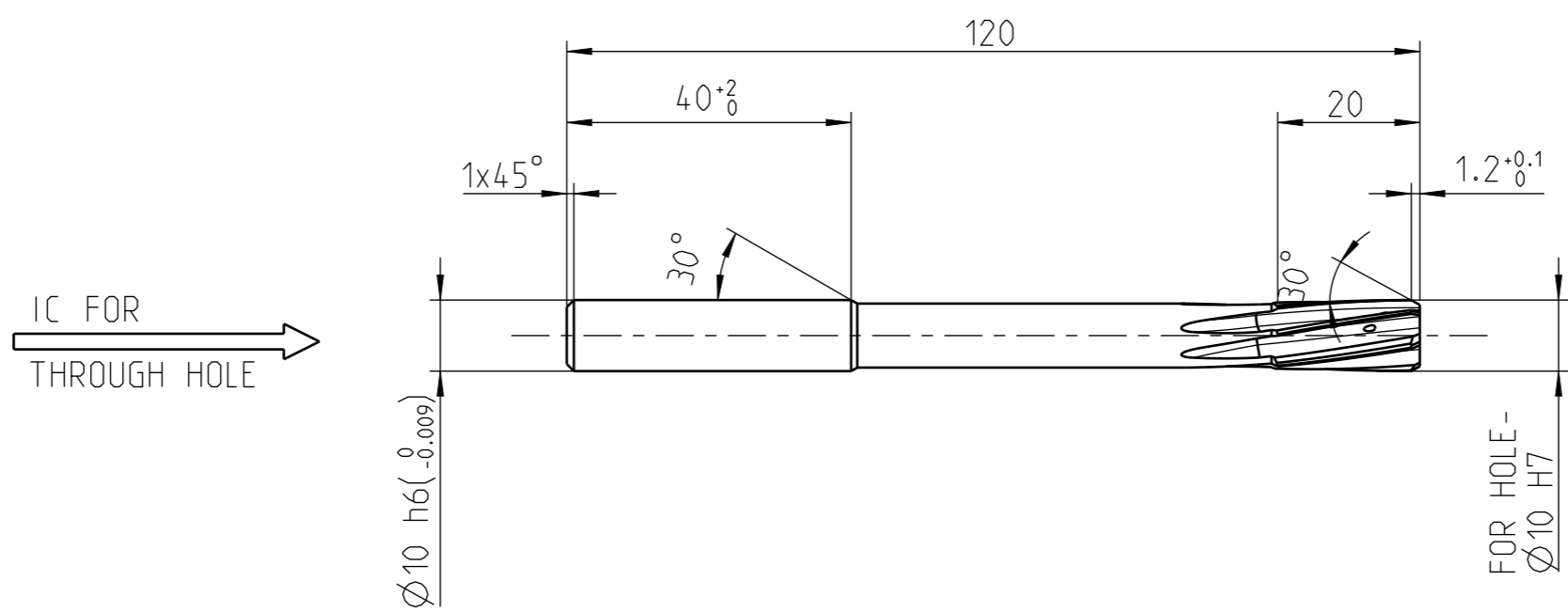
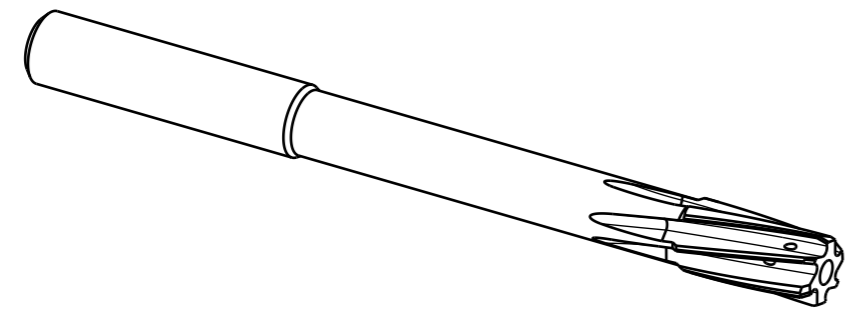


6 CUTTING EDGE, LEFT HAND SPIRAL, RIGHT HAND CUTTING

INDEX	CHANGES	DATE	NAME



IC FOR
THROUGH HOLE



1:1

MAPAL © FABRIK FUER PRAEZISIONSWERKZEUGE DR. KRESS KG		TITLE FIXREAM, SOLID CARBIDE, COATED			FORMAT A3		
<small>ALL RIGHTS FOR THE INVENTIONS, KNOW-HOW, TECHNICAL SOLUTIONS AND DESIGNS SHOWN ON THE DRAWING ARE ENTITLED TO MAPAL ONLY. AS FAR AS MAPAL DID NOT REGISTER PROPERTY RIGHTS HEREUPON YET, MAPAL FORMALLY RESERVES THE RIGHT FOR THE REGISTRATION OF PROPERTY RIGHTS. THE DRAWING AS WELL AS THE MATTERS SHOWN ARE STRICTLY CONFIDENTIAL. REPRODUCTIONS MAY ONLY BE MADE FOR THE PURPOSE AGREED UPON. NEITHER THIS DRAWING NOR COPIES THEREOF MAY BE MADE ACCESSIBLE TO THIRD PARTIES. WITH THE DELIVERY OF THIS DRAWING NO RIGHT TO USE IT FOR ANY PURPOSE IS GRANTED. VIOLATIONS AGAINST THE OBLIGATIONS TO SECRECY AND USE RESTRICTIONS WILL BE PROSECUTED.</small>		MAPAL Präzisionswerkzeuge Dr. Kress KG		DATE OF ISSUE 23.07.20	CREATED W ID	DOCUMENT 607444661-000-00-ED1	INDEX
		GENERAL TOLERANCE ISO 2768-fH SIZE ISO 14405-1 Ⓢ		DIMENSIONS NOT SHOWN ARE MAPAL STANDARDS		DATE	APPROVED
				SCALE 1:1	TECHNICAL SPECIFICATION FXR510Ø10.000H7MG1M-HP145		SHEET 1/1