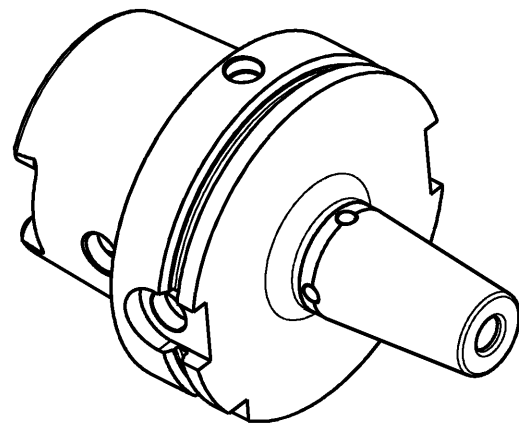
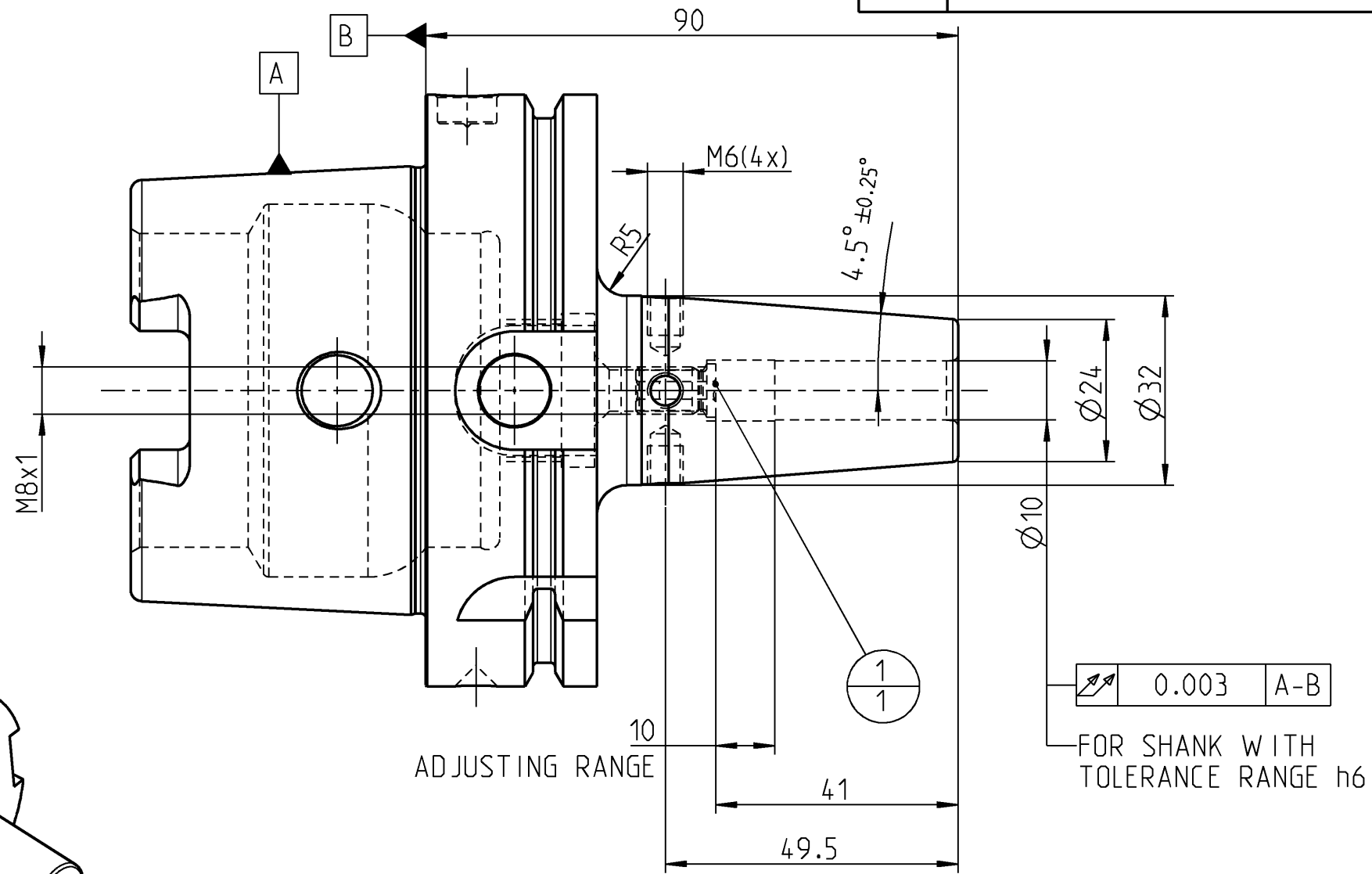


HSK-A100
 (SIMILAR DIN 69893-1)
 PER MN609 SHEET 2-6

INDEX	CHANGES	DATE	NAME



1:2

BALANCE GRADE PER DIN ISO 21940-11
 G 2.5 / 25000 min⁻¹
 MASS
 APPROX. 2.3 kg

1	1	30252541	STOP SCREW	M8X1 SW 3	...				
PART	TYP	QUAN.	UT	MATERIAL NUMBER	DESCRIPTION	TECHNICAL SPECIFICATION	CUSTOMER NUMBER		
MAPAL © FABRIK FUER PRAEZISIONSWERKZEUGE DR. KRESS KG				TITLE THERMOCHUCK WITH HSK, STANDARD			FORMAT A3		
<small>ALL RIGHTS FOR THE INVENTIONS, KNOW-HOW, TECHNICAL SOLUTIONS AND DESIGNS SHOWN ON THE DRAWING ARE ENTITLED TO MAPAL ONLY. AS FAR AS MAPAL DID NOT REGISTER PROPERTY RIGHTS HEREUPON YET, MAPAL FORMALLY RESERVES THE RIGHT FOR THE REGISTRATION OF PROPERTY RIGHTS. THE DRAWING AS WELL AS THE MATTERS SHOWN ARE STRICTLY CONFIDENTIAL. REPRODUCTIONS MAY ONLY BE MADE FOR THE PURPOSE AGREED UPON. NEITHER THIS DRAWING NOR COPIES THEREOF MAY BE MADE ACCESSIBLE TO THIRD PARTIES. WITH THE DELIVERY OF THIS DRAWING NO RIGHT TO USE IT FOR ANY PURPOSE IS GRANTED. VIOLATIONS AGAINST THE OBLIGATIONS TO SECRECY AND USE RESTRICTIONS WILL BE PROSECUTED.</small>				MAPAL Präzisionswerkzeuge Dr. Kress KG		DATE OF ISSUE 2025-02-05	CREATED SMU	DOCUMENT 608197982-000-00-ED1	INDEX 00
						DATE 2025-02-05	APPROVED LIM	MATERIAL NUMBER 30261791	ORIGIN EHD
GENERAL TOLERANCE ISO 2768-FH SIZE ISO 14405-1 Ⓢ				DIMENSIONS NOT SHOWN ARE MAPAL STANDARDS		SCALE 1:1	TECHNICAL SPECIFICATION MTC-HSK-A100-10-090-1-0-A	SHEET 1/1	