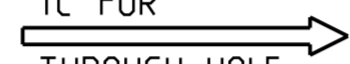
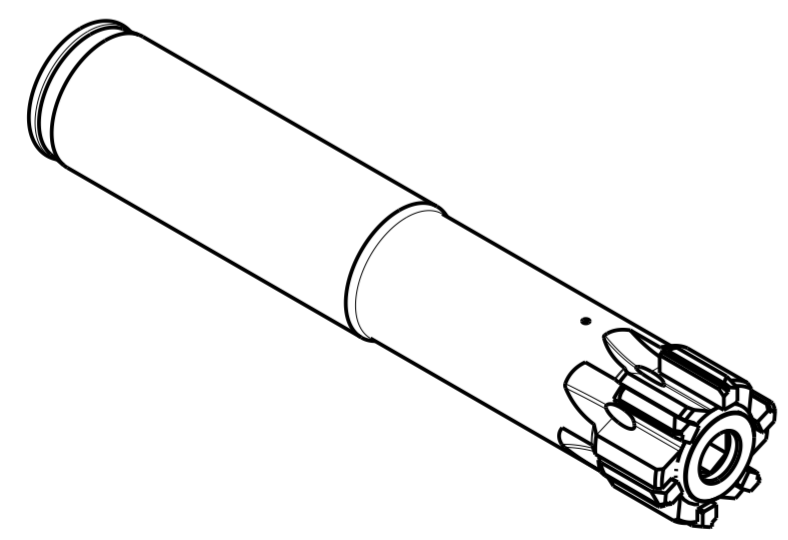
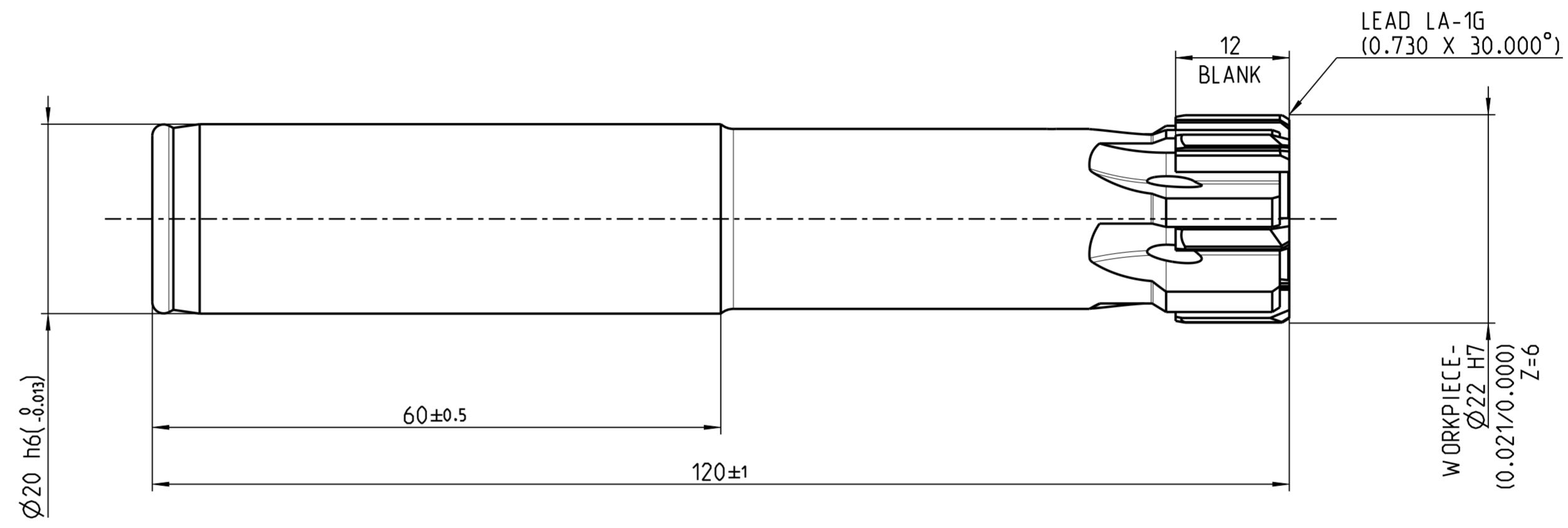
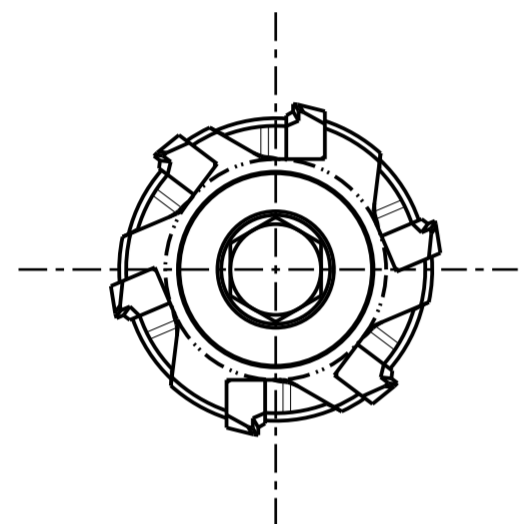


INDEX	CHANGES	DATE	NAME


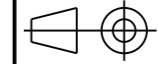
INSERTION GROOVE ACCORDING  
 MN 623 SHEET 1 Ø20  
 SIMILAR DIN 1835 - A 20

IC FOR  
  
 THROUGH HOLE



1:1

6 INSERTS | STRAIGHT GROOVED | RIGHT-CUTTING

MAPAL © FABRIK FUER PRAEZISIONSWERKZEUGE DR. KRESS KG <small>ALL RIGHTS FOR THE INVENTIONS, KNOW-HOW, TECHNICAL SOLUTIONS AND DESIGNS SHOWN ON THE DRAWING ARE ENTITLED TO MAPAL ONLY. AS FAR AS MAPAL DID NOT REGISTER PROPERTY RIGHTS HEREUPON YET, MAPAL FORMALLY RESERVES THE RIGHT FOR THE REGISTRATION OF PROPERTY RIGHTS. THE DRAWING AS WELL AS THE MATTERS SHOWN ARE STRICTLY CONFIDENTIAL. REPRODUCTIONS MAY ONLY BE MADE FOR THE PURPOSE AGREED UPON. NEITHER THIS DRAWING NOR COPIES THEREOF MAY BE MADE ACCESSIBLE TO THIRD PARTIES. WITH THE DELIVERY OF THIS DRAWING NO RIGHT TO USE IT FOR ANY PURPOSE IS GRANTED. VIOLATIONS AGAINST THE OBLIGATIONS TO SECUREY AND USE RESTRICTIONS WILL BE PROSECUTED.</small>	TITLE <b>FIXREAM, EXPANDING DESIGN, CARBIDE-BLADES, COATED</b>			FORMAT A2	
	 <b>MAPAL</b> Präzisionswerkzeuge Dr. Kress KG	DATE OF ISSUE 2025-01-07	CREATED DESIGN A	DOCUMENT 608180474-000-00-ED1	INDEX 00
	GENERAL TOLERANCE ISO 2768-1H SIZE ISO 14405-1	DIMENSIONS NOT SHOWN ARE MAPAL STANDARDS	 SCALE 2:1	MATERIAL NUMBER <b>31553813</b> TECHNICAL SPECIFICATION FXR702Ø22.000H7LA1G-HP905	ORIGIN AAD SHEET 1/1

MASSE  
 CA. 0.26 kg