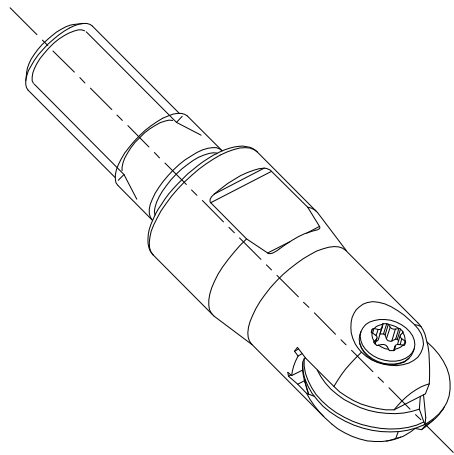
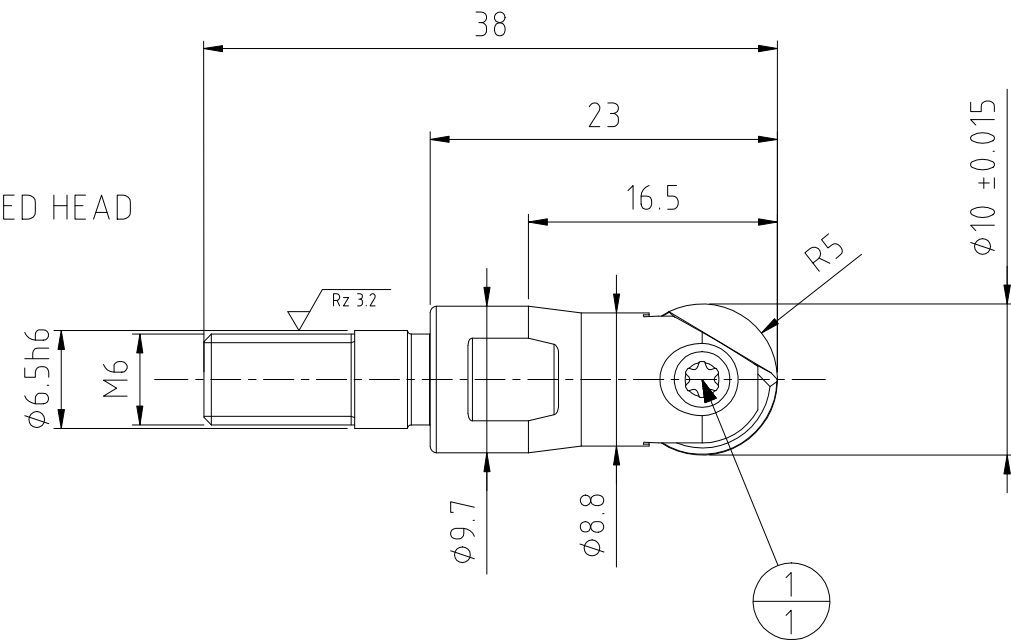


1	2		3	4	5	6		7	8		
A											A
B											B
C											C
D											D
E											E
F											F

INDEX NO.	CHANGES	DATE	NAME
-	-	-	-
-	-	-	-
-	-	-	-
-	-	-	-
-	-	-	-



THREADED HEAD



INSERT NOT INCLUDED

WEIGHT: 0,008Kg

PART	TYP	QUAN	UT	MATERIAL NUMBER	DESCRIPTION	TECHNICAL SPECIFICATION	CUSTOMER NUMBER	
-	-	-	-	-	-	-	-	
-	-	-	-	-	-	-	-	
1	-	1	PC	31161845	TORX-SCREW	M3X7.7-TX8-IP	-	
BALANCING GRADE DIN ISO 1940-G (COMPLETE ASSEMBLY) AT R.P.M. -1					THIS DRAWING REMAINS OUR EXCLUSIVE PROPERTY. IT IS ENTRUSTED ONLY FOR THE PURPOSE AGREED UPON AND MAY NOT BE USED FOR ANY OTHER PURPOSE. COPIES OR OTHER REPRODUCTIONS MAY ONLY BE MADE FOR THE PURPOSE AGREED UPON. NEITHER ORIGINALS NOR REPRODUCTIONS MAY BE TRANSMITTED OR OTHERWISE MADE ACCESSIBLE TO A THIRD PARTY WITHOUT OUR WRITTEN CONSENT.		MAPAL Präzisionswerkzeuge Dr. Kress KG	DATE 24.04.2020 NAME G.MONTINI
ADDITIONALLY TO VA-NO: 07.05.01 MARK WITH					DIMENSIONAL TOLERANCES PER ISO 2768-F UNLESS OTHERWISE SPECIFIED	DIMENSIONS NOT SHOWN ARE MAPAL STANDARD	REGISTERED WITH GERMAN AND FOREIGN PATENT OFFICES	SCALE: 2:1 FORMAT: A3
					TITLE: BALL AND TORIC MILLING CUTTER, SCREW-IN MILLING CUTTER, INDEXABLE			ORIGIN AA1
					TECHNICAL SPECIFICATION IMB001-010-M006-Z02R-BM 10	MATERIAL NUMBER: 31144211	DRAWING NO.: 607326825-000-00-EN1	INDEX 00
					REPLACES DWG. NO.:	REPLACED BY DWG. NO.:	SHEET V.	SHEETS

JOB-NO.:

PROJECT-NO.:

SKETCH:

MACH.NO.

STATION:

SPINDLE:

PART-NAME.:

PART NO.:

MATERIAL:

OP-NO.:

TOOL-NO.:

HOLE-NO.:

SIMILAR: