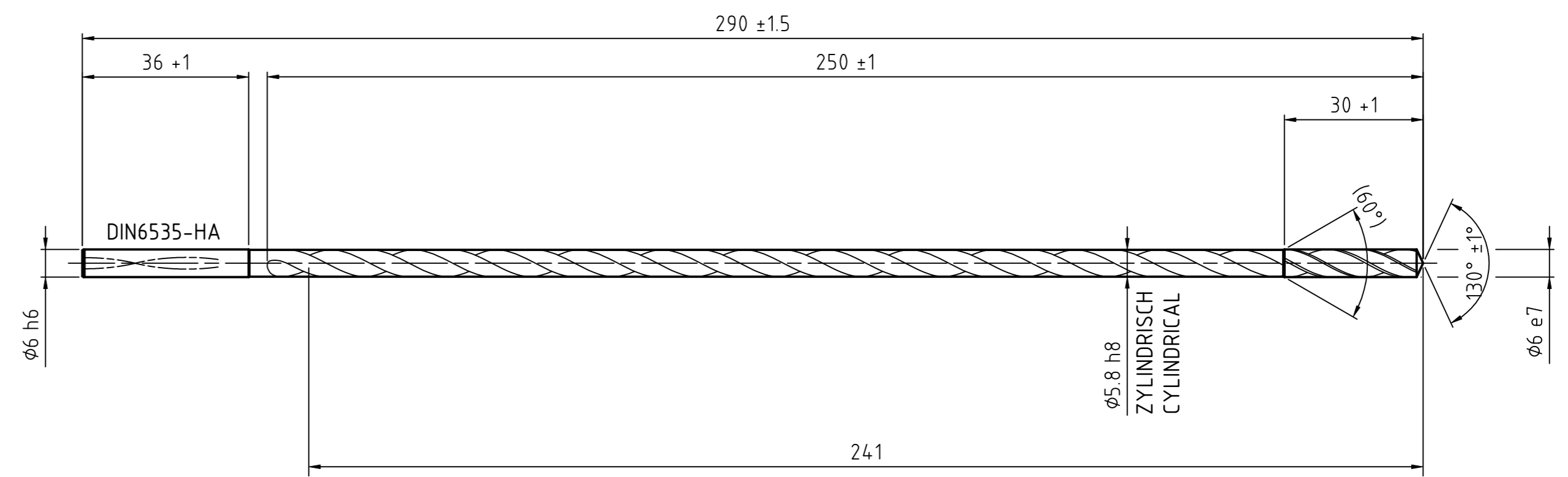
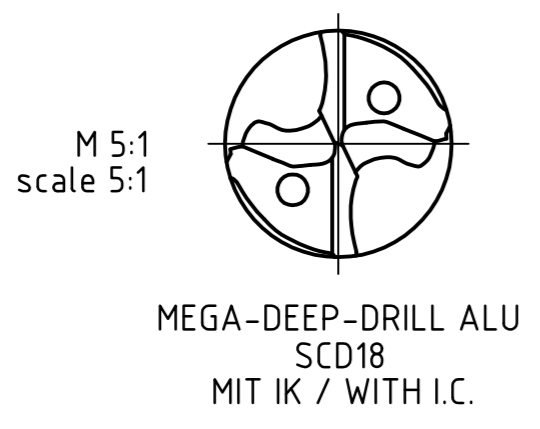


INDEX NO.	CHANGES	DATE	NAME
1	SPITZENWINKEL 130° WAR 135° POINT ANGLE 130° WAS 135°	23.07.18	pg
-	-	-	-
-	-	-	-
-	-	-	-
-	-	-	-
-	-	-	-



SCHNEIDENZAHL : 2, RECHTSSCHNEIDEND
 SPANNUT : 30° SPIRALISIERT
 BESCHICHTUNG : UNBESCHICHTET
 GEEIGNETE WERKSTOFFE . : SIEHE KATALOG
 FEHLENDE ANGABEN NACH
 ERFAHRUNG DES HERSTELLERS

CUTTING EDGES : 2, RIGHT HAND CUT
 CHIP FLUTES : 30° HELICAL FLUTED
 COATING : UNCOATED
 SUITABLE MATERIALS . : SEE CATALOG
 MISSING SPECIFICATIONS ACCORDING
 TO EXPERIENCE OF MANUFACTURER.

CUST: SIMILAR: PROJECT-NO: JOB-NO: SKETCH:

MACH.NO.	STATION:	SPINDLE:
PART-NAME.:		
PART NO.:		
MATERIAL:		
OP-NO.:	TOOL-NO.:	HOLE-NO.:

BALANCING GRADE DIN ISO 1940-G (COMPLETE ASSEMBLY) AT R.P.M. -1		THIS DRAWING REMAINS OUR EXCLUSIVE PROPERTY. IT IS ENTRUSTED ONLY FOR THE PURPOSE AGREED UPON AND MAY NOT BE USED FOR ANY OTHER PURPOSE. COPIES OR OTHER REPRODUCTIONS MAY ONLY BE MADE FOR THE PURPOSE AGREED UPON. NEITHER ORIGINALS NOR REPRODUCTIONS MAY BE TRANSMITTED OR OTHERWISE MADE ACCESSIBLE TO A THIRD PARTY WITHOUT OUR WRITTEN CONSENT.		MAPAL Präzisionswerkzeuge Dr. Kress KG		DATE	NAME
ADDITIONALLY TO VA-NO: 07.05.01 MARK WITH ---		DIMENSIONAL TOLERANCES PER ISO 2768-M UNLESS OTHERWISE SPECIFIED		DIMENSIONS NOT SHOWN ARE MAPAL STANDARD		19.12.16	pg
						APP.	
						CHK.	
						SCALE: 1:1	FORMAT: A2
		TITLE: MEGA-ALU-DEEP-DRILL, SHANK FORM HAK, UNCOATED				ORIGIN	ALD
		TECHNICAL SPECIFICATION SCD181-0600-2-4-130HA40-HU680		MATERIAL NUMBER.: 30549881		DRAWING NO.:	INDEX
		REPLACES DWG. NO.:		REPLACED BY DWG. NO.:		606800638-000-01-ED1	01
						SHEET	V. SHEETS