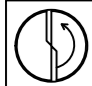
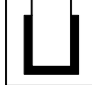
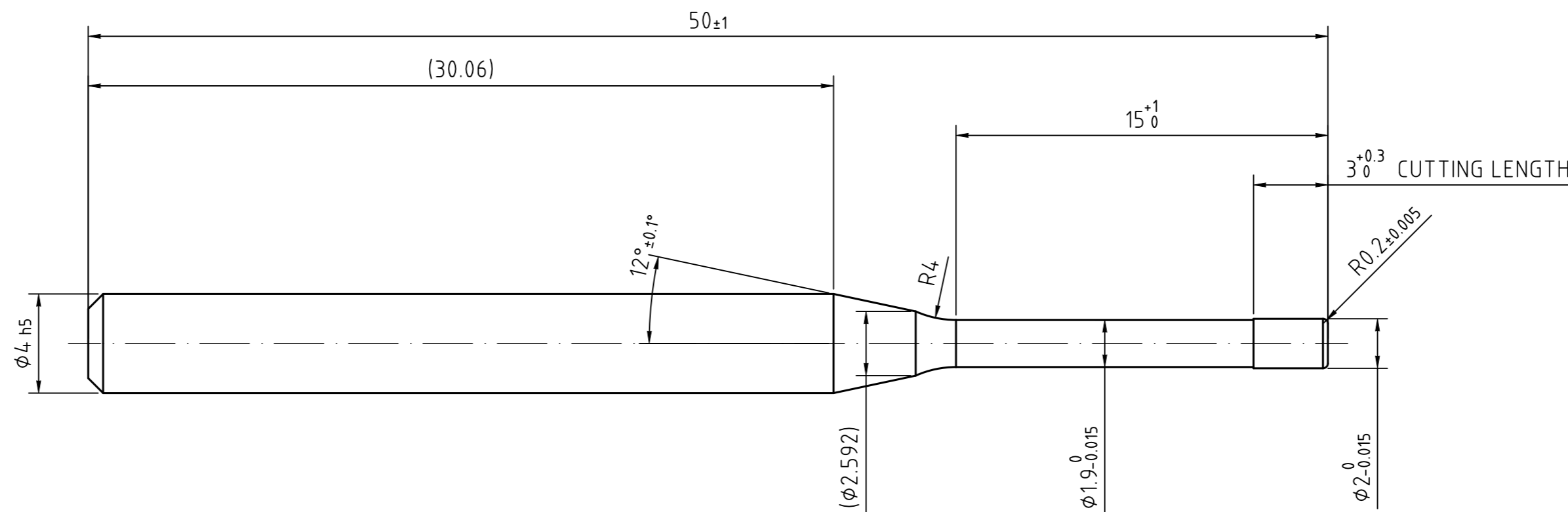


INDEX	CHANGES	DATE	NAME


NON TOLERANCED DIMENSIONS				
0.5	> 3	> 6	> 30	> 120
... 3	... 6	... 30	... 120	... 400
± 0.1	± 0.1	± 0.2	± 0.3	± 0.5
RADI, CHAMFERS				
± 0.2	± 0.5	± 1	± 1	± 1
ANGLES, DIM. OF THE SHORTER SIDE				
bis 10	> 10	> 50	> 120	> 400
... 50	... 120	... 400		
± 1°	± 30'	± 20'	± 10'	± 5'

 OPTIMILL-3D-CR-GRAPHITE,Z=2  
 HC116



REGRINDING INFO	
TIP	<input type="radio"/>
OUTER DIAMETER	<input type="radio"/>
FLUTE	<input type="radio"/>
ADDING OF WORKING LENGTH	<input type="radio"/>
ADDING OF WORKING DIAMETER	<input type="radio"/>
DECOATING	<input type="radio"/>

YES  OPTIONAL  NO

MAPAL © FABRIK FUER PRAEZISIONSWERKZEUGE DR. KRESS KG <small>ALL RIGHTS FOR THE INVENTIONS, KNOW-HOW, TECHNICAL SOLUTIONS AND DESIGNS SHOWN ON THE DRAWING ARE ENTITLED TO MAPAL ONLY. AS FAR AS MAPAL DID NOT REGISTER PROPERTY RIGHTS HERUPON YET, MAPAL FORMALLY RESERVES THE RIGHT FOR THE REGISTRATION OF PROPERTY RIGHTS. THE DRAWING AS WELL AS THE MATTERS SHOWN ARE STRICTLY CONFIDENTIAL. REPRODUCTIONS MAY ONLY BE MADE FOR THE PURPOSE AGREED UPON. NEITHER THIS DRAWING NOR COPIES THEREOF MAY BE MADE ACCESSIBLE TO THIRD PARTIES. WITH THE DELIVERY OF THIS DRAWING NO RIGHT TO USE IT FOR ANY PURPOSE IS GRANTED. VIOLATIONS AGAINST THE OBLIGATIONS TO SECRECY AND USE RESTRICTIONS WILL BE PROSECUTED.</small>	TITLE <b>OPTIMILL-3D-CR-GRAPHITE, SHANKFORM HA, SC, DIAMOND COATED</b>	DATE OF ISSUE 2023-02-10	CREATED DKO	DOCUMENT 607906500-000-00-ED1	INDEX 00
<small>GENERAL TOLERANCE ISO 2768-mH          SIZE ISO 14405-1</small>	<small>DIMENSIONS NOT SHOWN          ARE MAPAL STANDARDS</small>	DATE	APPROVED	MATERIAL NUMBER <b>31152926</b>	ORIGIN ALD
 <b>MAPAL</b> Präzisionswerkzeuge Dr. Kress KG	SCALE 5:1	TECHNICAL SPECIFICATION MCR111-020-0020-1500X050-HC116	SHEET 1/1	FORMAT	INDEX