

1 2 3 4 5 6 7 8

A

B

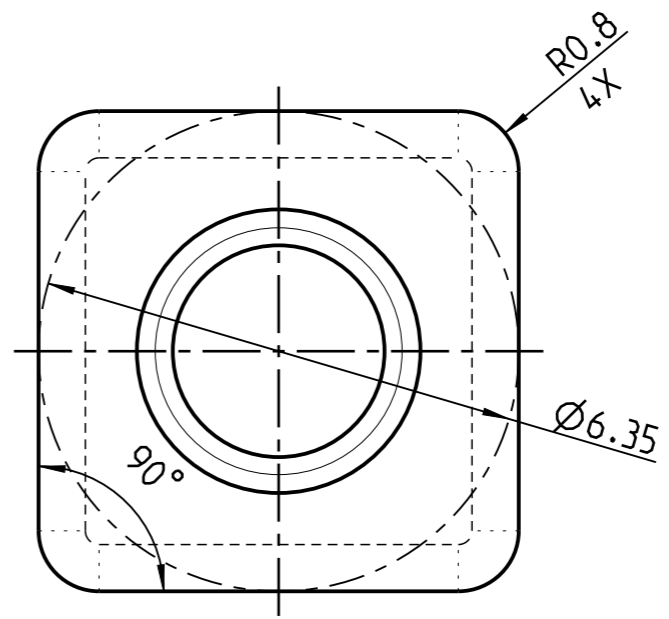
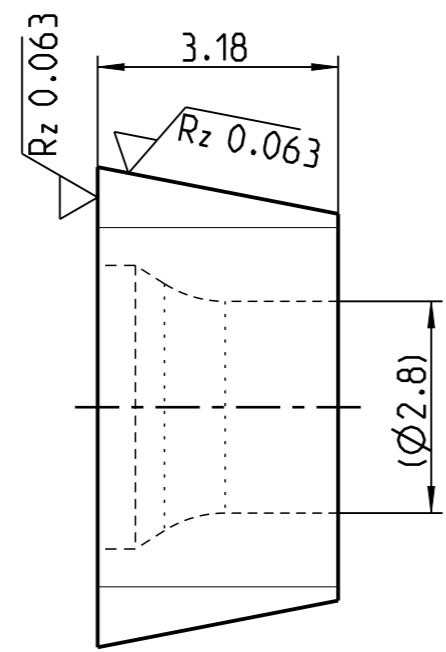
C

D

E

F

INDEX	CHANGES	DATE	NAME



$\sqrt{Rz\ 1}$ ($\sqrt{Rz\ 0.063}$)

CUTTING EDGES ROUNDED

MAPAL © FABRIK FUER PRAEZISIONSWERKZEUGE DR. KRESS KG <small>ALL RIGHTS FOR THE INVENTIONS, KNOW-HOW, TECHNICAL SOLUTIONS AND DESIGNS SHOWN ON THE DRAWING ARE ENTITLED TO MAPAL ONLY. AS FAR AS MAPAL DID NOT REGISTER PROPERTY RIGHTS HEREUPON YET, MAPAL FORMALLY RESERVES THE RIGHT FOR THE REGISTRATION OF PROPERTY RIGHTS. THE DRAWING AS WELL AS THE MATTERS SHOWN ARE STRICTLY CONFIDENTIAL. REPRODUCTIONS MAY ONLY BE MADE FOR THE PURPOSE AGREED UPON. NEITHER THIS DRAWING NOR COPIES THEREOF MAY BE MADE ACCESSIBLE TO THIRD PARTIES. WITH THE DELIVERY OF THIS DRAWING NO RIGHT TO USE IT FOR ANY PURPOSE IS GRANTED. VIOLATIONS AGAINST THE OBLIGATIONS TO SECRECY AND USE RESTRICTIONS WILL BE PROSECUTED.</small>	TITLE INDEXABLE INSERT, CARBIDE, COATED			FORMAT A3	
	MAPAL Präzisionswerkzeuge Dr. Kress KG	DATE OF ISSUE 2021-04-28	CREATED BAB	DOCUMENT 607114262-000-00-ED1	INDEX 00
		DATE	APPROVED	MATERIAL NUMBER 31050739	ORIGIN AAD
	GENERAL TOLERANCE ISO 2768-fH SIZE ISO 14405-1 Ⓢ	DIMENSIONS NOT SHOWN ARE MAPAL STANDARDS	SCALE 10:1	TECHNICAL SPECIFICATION SPGW 060308E04N-0A-HC 740	SHEET 1/1

1 2 3 4 5 6 7 8