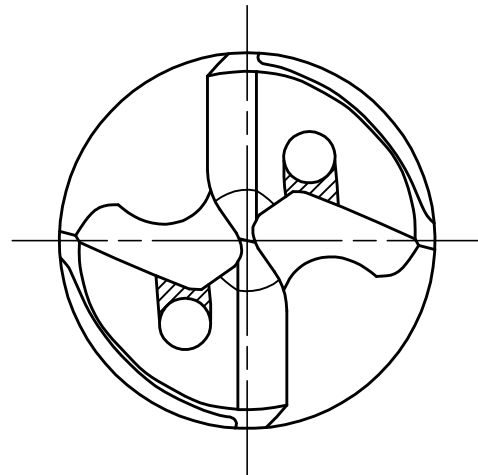


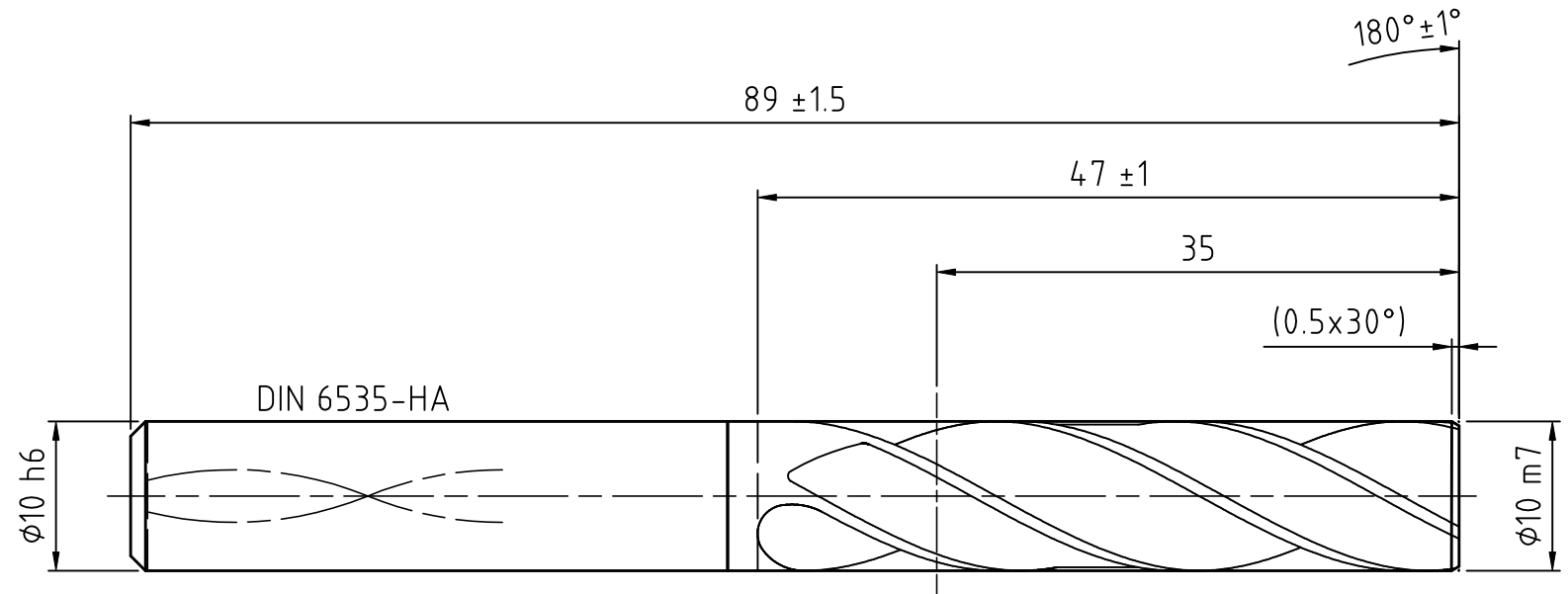
INDEX	CHANGES	DATE	NAME

4 FUEHRUNGSFASEN / 4 MARGINS

M 5:1  
SCALE 5:1



MEGA-180°-DRILL-ALU  
MIT IK / WITH I.C.



SCHNEIDENZAHL . . . . : 2, RECHTSSCHNEIDEND  
 SPANNUT . . . . . : 30° SPIRALISIERT  
 SCHNEIDSTOFF . . . . . : HU630

GEEIGNETE WERKSTOFFE . : SIEHE KATALOG

FEHLENDE ANGABEN NACH  
 ERFAHRUNG DES HERSTELLERS

CUTTING EDGES . . . . . : 2, RIGHT HAND CUTTING  
 CHIP FLUTES . . . . . : 30° HELICAL FLUTED  
 CUTTING MATERIAL . . : HU630

SUITABLE MATERIALS: SEE CATALOG

MISSING SPECIFICATIONS ACCORING  
 TO EXPERIENCE OF MANUFACTURER.

MAPAL © FABRIK FUER PRAEZISIONSWERKZEUGE DR. KRESS KG		TITLE MEGA-DRILL-180°, SHANK FORM HAK, UNCOATED			FORMAT A3
<small>ALL RIGHTS FOR THE INVENTIONS, KNOW-HOW, TECHNICAL SOLUTIONS AND DESIGNS SHOWN ON THE DRAWING ARE ENTITLED TO MAPAL ONLY. AS FAR AS MAPAL DID NOT REGISTER PROPERTY RIGHTS HEREUPON YET, MAPAL FORMALLY RESERVES THE RIGHT FOR THE REGISTRATION OF PROPERTY RIGHTS. THE DRAWING AS WELL AS THE MATTERS SHOWN ARE STRICTLY CONFIDENTIAL. REPRODUCTIONS MAY ONLY BE MADE FOR THE PURPOSE AGREED UPON. NEITHER THIS DRAWING NOR COPIES THEREOF MAY BE MADE ACCESSIBLE TO THIRD PARTIES. WITH THE DELIVERY OF THIS DRAWING NO RIGHT TO USE IT FOR ANY PURPOSE IS GRANTED. VIOLATIONS AGAINST THE OBLIGATIONS TO SECRECY AND USE RESTRICTIONS WILL BE PROSECUTED.</small>	MAPAL Präzisionswerkzeuge Dr. Kress KG	DATE OF ISSUE 2019-09-23	CREATED PG	DOCUMENT 607302944-000-00-ED1	INDEX 00
		DATE	APPROVED	MATERIAL NUMBER 30382955	ORIGIN ALD
GENERAL TOLERANCE ISO 2768-mH- SIZE ISO 14405-1 Ⓢ	DIMENSIONS NOT SHOWN ARE MAPAL STANDARDS		SCALE 2:1	TECHNICAL SPECIFICATION SCD241-1000-2-4-180HA03-HU630	SHEET 1 / 1