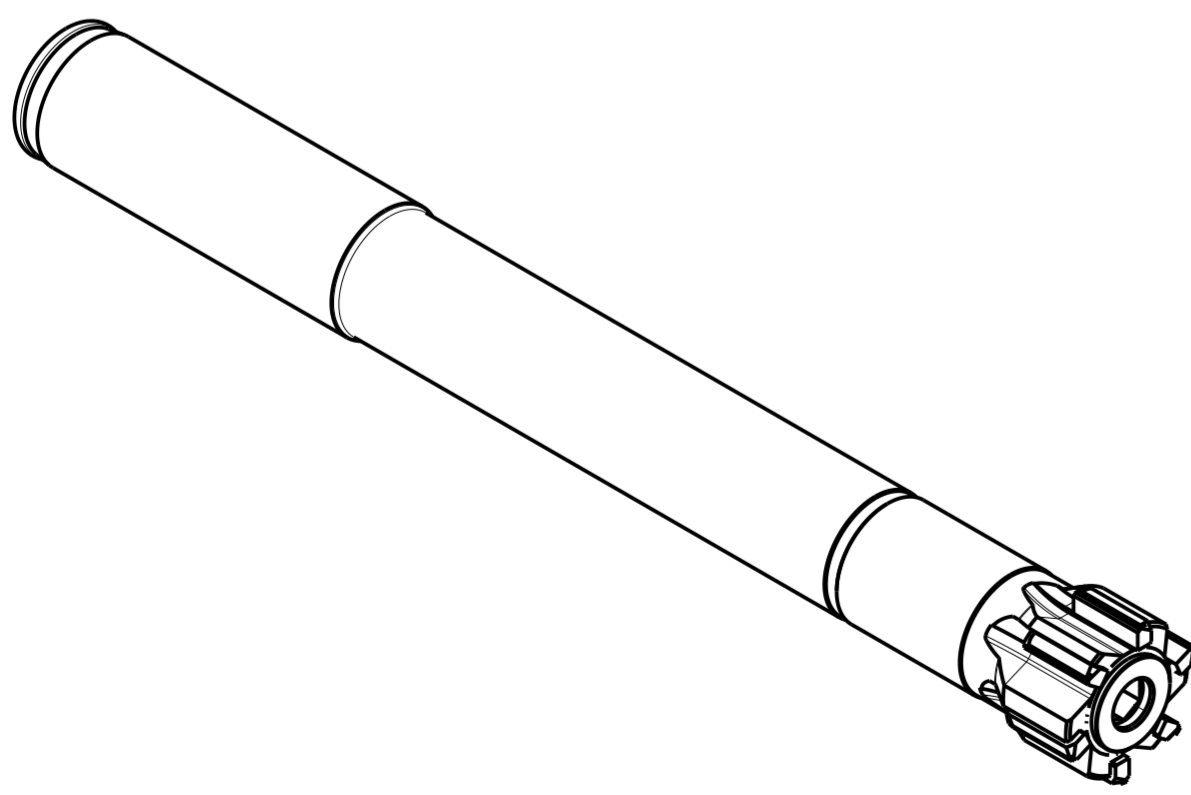
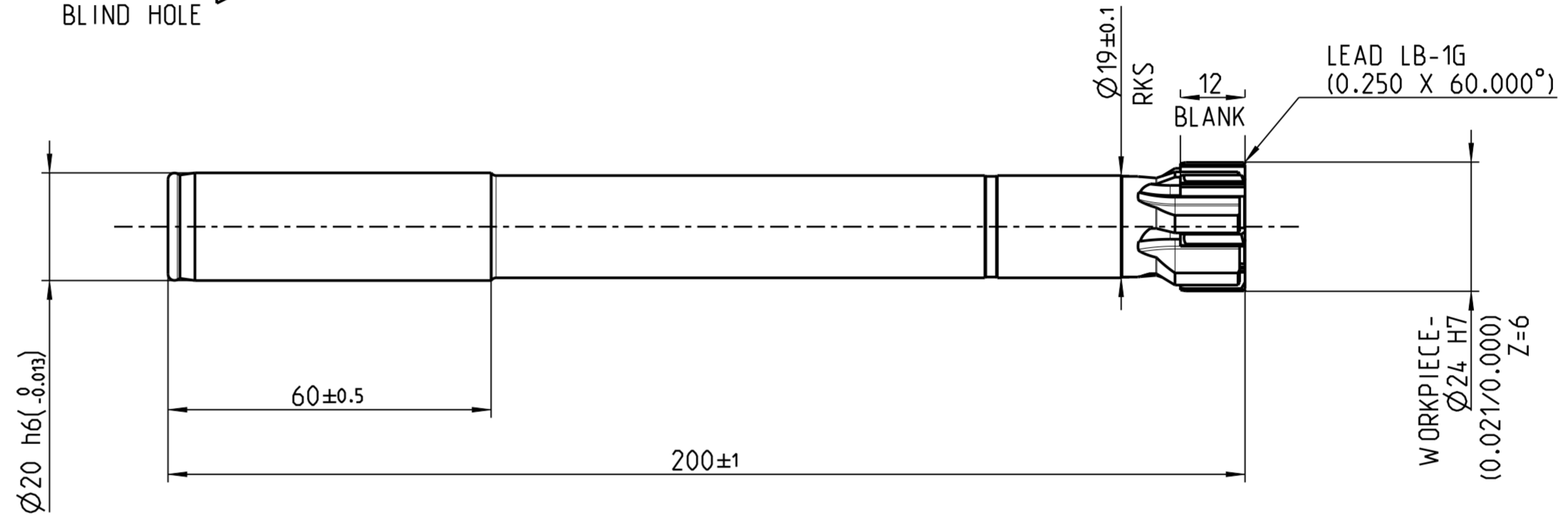
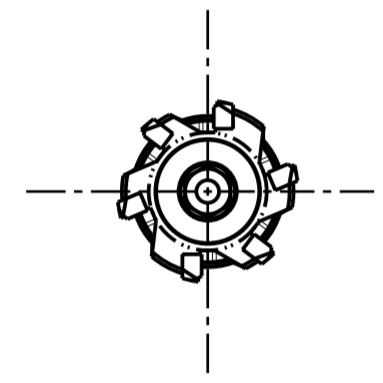


INDEX	CHANGES	DATE	NAME

INSERTION GROOVE ACCORDING
 MN 623 SHEET 1 Ø20
 SIMILAR DIN 1835 - A 20

IC FOR
 BLIND HOLE →



1:1

6 INSERTS | STRAIGHT GROOVED | RIGHT-CUTTING

MASSE
 CA. 0.44 kg

MAPAL © FABRIK FUER PRAEZISIONSWERKZEUGE DR. KRESS KG <small>ALL RIGHTS FOR THE INVENTIONS, KNOW-HOW, TECHNICAL SOLUTIONS AND DESIGNS SHOWN ON THE DRAWING ARE ENTITLED TO MAPAL ONLY. AS FAR AS MAPAL DID NOT REGISTER PROPERTY RIGHTS HEREUPON YET, MAPAL FORMALLY RESERVES THE RIGHT FOR THE REGISTRATION OF PROPERTY RIGHTS. THE DRAWING AS WELL AS THE MATTERS SHOWN ARE STRICTLY CONFIDENTIAL. REPRODUCTIONS MAY ONLY BE MADE FOR THE PURPOSE AGREED UPON. NEITHER THIS DRAWING NOR COPIES THEREOF MAY BE MADE ACCESSIBLE TO THIRD PARTIES. WITH THE DELIVERY OF THIS DRAWING NO RIGHT TO USE IT FOR ANY PURPOSE IS GRANTED. VIOLATIONS AGAINST THE OBLIGATIONS TO SECUREY AND USE RESTRICTIONS WILL BE PROSECUTED.</small>	TITLE FIXREAM. EXPANDING DESIGN. CARBIDE-BLADES. COATED		FORMAT A2
	MAPAL Präzisionswerkzeuge Dr. Kress KG	DATE OF ISSUE 2025-01-07	CREATED DESIGN A
GENERAL TOLERANCE ISO 2768-1H SIZE ISO 14405-1Ⓢ	DIMENSIONS NOT SHOWN ARE MAPAL STANDARDS	SCALE 1:1	MATERIAL NUMBER 31553838
TECHNICAL SPECIFICATION FXR705Ø24.000H7LB1G-HP905			SHEET 1/1