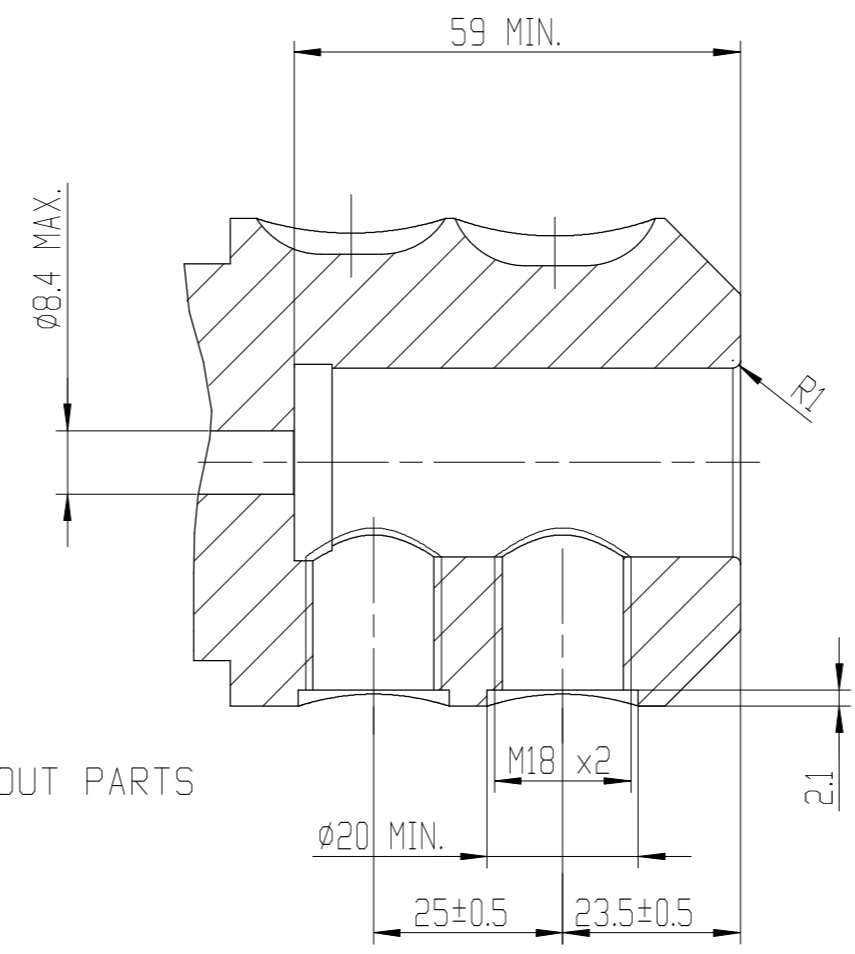
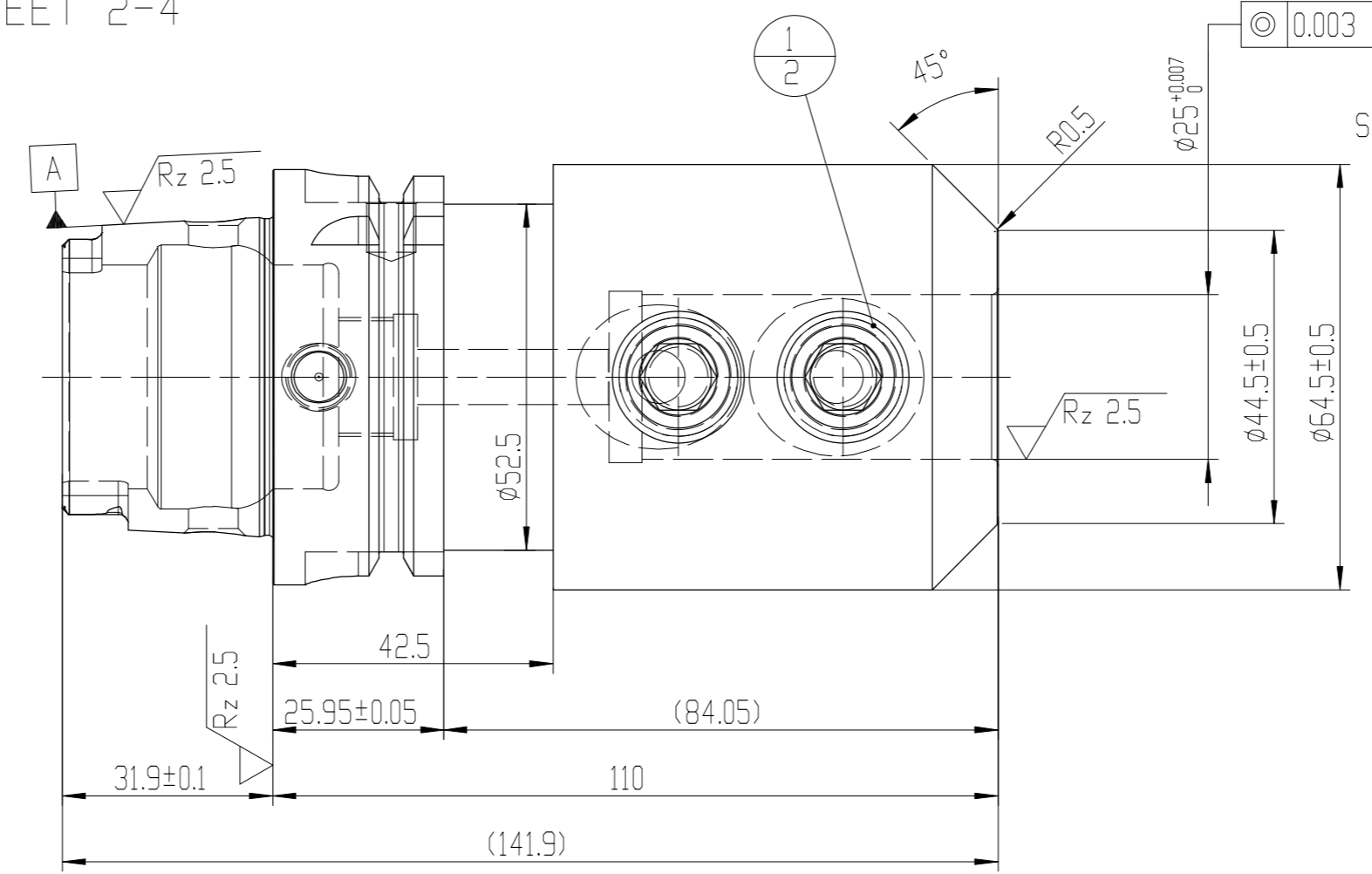


MODULAR CONNECTION HSK-A63  
 (SIMILAR DIN 69893-1)  
 PER MN609 SHEET 2-4

SPARE PARTS	ALLOCATION OF PARTS	INDEX NO.	CHANGES		DATE	NAME
			1	COOLANT TUBE REMOVED, PER NOTICE OF CHANGE FROM 0.3.2013 MR. KRIEGER		



$\sqrt{Rz\ 2.5}$  ( $\sqrt{Rz\ 2.5}$ )  
 CASE HARDENED HRC 60 ± 2  
 DEPTH OF CASEHARDENING 0.8  
 THREAD SOFT

JOB-NO.:  
 PROJECT-NO.:  
 SKETCH:

MACH.-NO.:	STATION:	SPINDLE:
PART-NAME:		
PART-NO.:		
MATERIAL:		
TOOL-NO.:	OP-NO.:	HOLE-NO.:

1	2	10004141	SCREW	DIN 1835-B-M18X2X20			
PART	TYP	QUAN.	UT	MATERIAL NUMBER	DESCRIPTION	TECHNICAL SPECIFICATION	CUSTOMER NUMBER
				BALANCE GRADE DIN ISO 1940-G 2.5 (COMPLETE ASSEMBLY) AT 16000 MIN <sup>-1</sup>	THIS DRAWING REMAINS OUR EXCLUSIVE PROPERTY. IT IS ENTRUSTED ONLY FOR THE PURPOSE AGREED UPON AND MAY NOT BE USED FOR ANY OTHER PURPOSE, COPIES OR OTHER REPRODUCTIONS MAY ONLY BE MADE FOR THE PURPOSE AGREED UPON. NEITHER ORIGINALS NOR REPRODUCTIONS MAY BE TRANSMITTED OR OTHERWISE MADE ACCESSIBLE TO A THIRD PARTY WITHOUT OUR WRITTEN CONSENT.	<b>MAPAL</b> Präzisionswerkzeuge Dr. Kress KG	DATE: 07.03.12 NAME: BRT
				ADDITIONALLY TO VA-NO. 07.08.01 MARK WITH:	DIMENSIONAL TOLERANCES PER ISO 2768-F UNLESS OTHERWISE SPECIFIED	DIMENSIONS NOT SHOWN ARE MAPAL STANDARDS	REGISTERED WITH GERMAN AND FOREIGN PATENT OFFICES
TITLE: CLAMPING CHUCK FOR CYLINDRICAL SHANKS FORM HB, WITH HSK						SCALE: 1:1	A2
TECHNICAL SPECIFICATION: MWC-HSK-A063-25-110-1-0-W				MATERIAL NUMBER: 30319211	DRAWING NO.:	285750-001-01-ED1	ORIGIN: AA1
REPLACES DWG. NO.: MN5088-08-K				REPLACED BY DWG. NO.:		INDEX: 01	
						SHEET 1 OF 1 SHEETS	