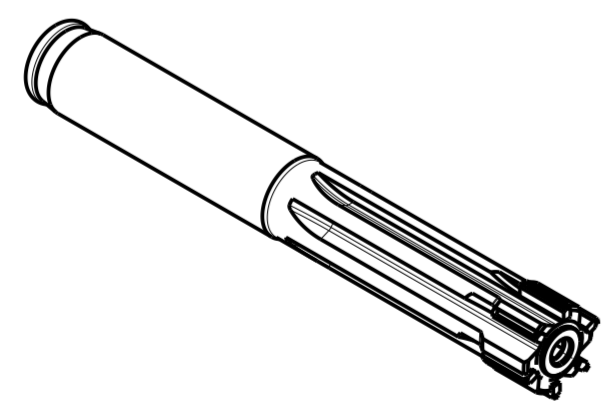
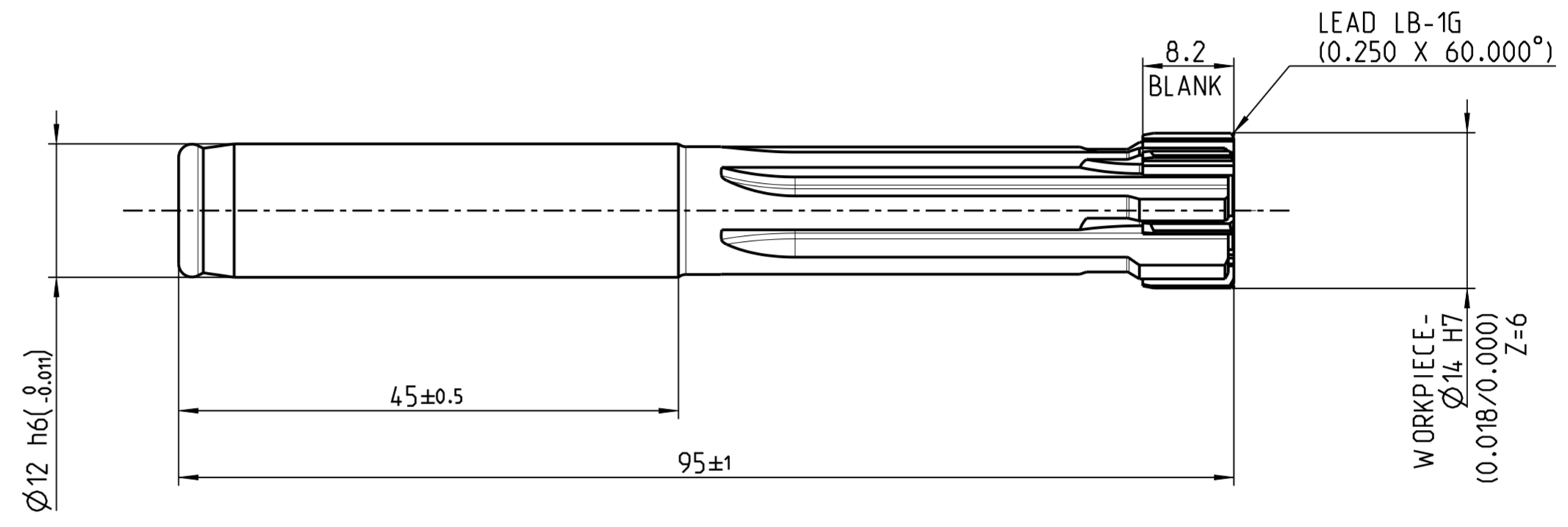
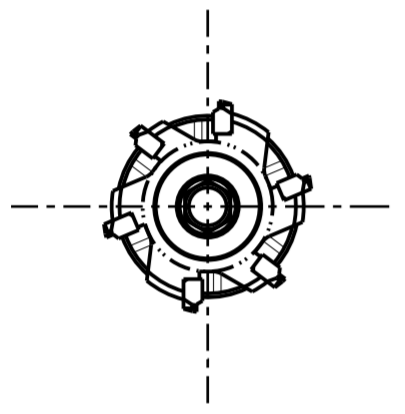


INDEX	CHANGES	DATE	NAME

INSERTION GROOVE ACCORDING
 MN 623 SHEET 1 Ø12
 SIMILAR DIN 1835 - A 12

IC FOR
 BLIND HOLE →



1:1

6 INSERTS | STRAIGHT GROOVED | RIGHT-CUTTING

MASSE
 CA. 0.07 kg

MAPAL © FABRIK FUER PRAEZISIONSWERKZEUGE DR. KRESS KG <small>ALL RIGHTS FOR THE INVENTIONS, KNOW-HOW, TECHNICAL SOLUTIONS AND DESIGNS SHOWN ON THE DRAWING ARE ENTITLED TO MAPAL ONLY. AS FAR AS MAPAL DID NOT REGISTER PROPERTY RIGHTS HEREUPON YET, MAPAL FORMALLY RESERVES THE RIGHT FOR THE REGISTRATION OF PROPERTY RIGHTS. THE DRAWING AS WELL AS THE MATTERS SHOWN ARE STRICTLY CONFIDENTIAL. REPRODUCTIONS MAY ONLY BE MADE FOR THE PURPOSE AGREED UPON. NEITHER THIS DRAWING NOR COPIES THEREOF MAY BE MADE ACCESSIBLE TO THIRD PARTIES. WITH THE DELIVERY OF THIS DRAWING NO RIGHT TO USE IT FOR ANY PURPOSE IS GRANTED. VIOLATIONS AGAINST THE OBLIGATIONS TO SECURE AND USE RESTRICTIONS WILL BE PROSECUTED.</small>	TITLE FIXREAM. EXPANDING DESIGN. CARBIDE-BLADES. COATED			FORMAT A2	
	MAPAL Präzisionswerkzeuge Dr. Kress KG	DATE OF ISSUE 2025-01-07	CREATED DESIGN A	DOCUMENT 608180505-000-00-ED1	INDEX 00
		DATE	APPROVED	MATERIAL NUMBER 31553821	ORIGIN AAD
GENERAL TOLERANCE ISO 2768-1H SIZE ISO 14405-1	DIMENSIONS NOT SHOWN ARE MAPAL STANDARDS		SCALE 2:1	TECHNICAL SPECIFICATION FXR703Ø14.000H7LB1G-HP905	SHEET 1/1