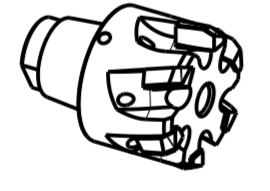
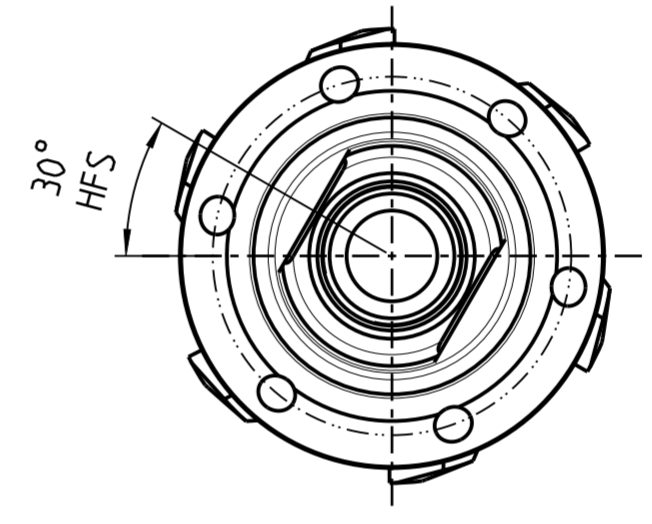
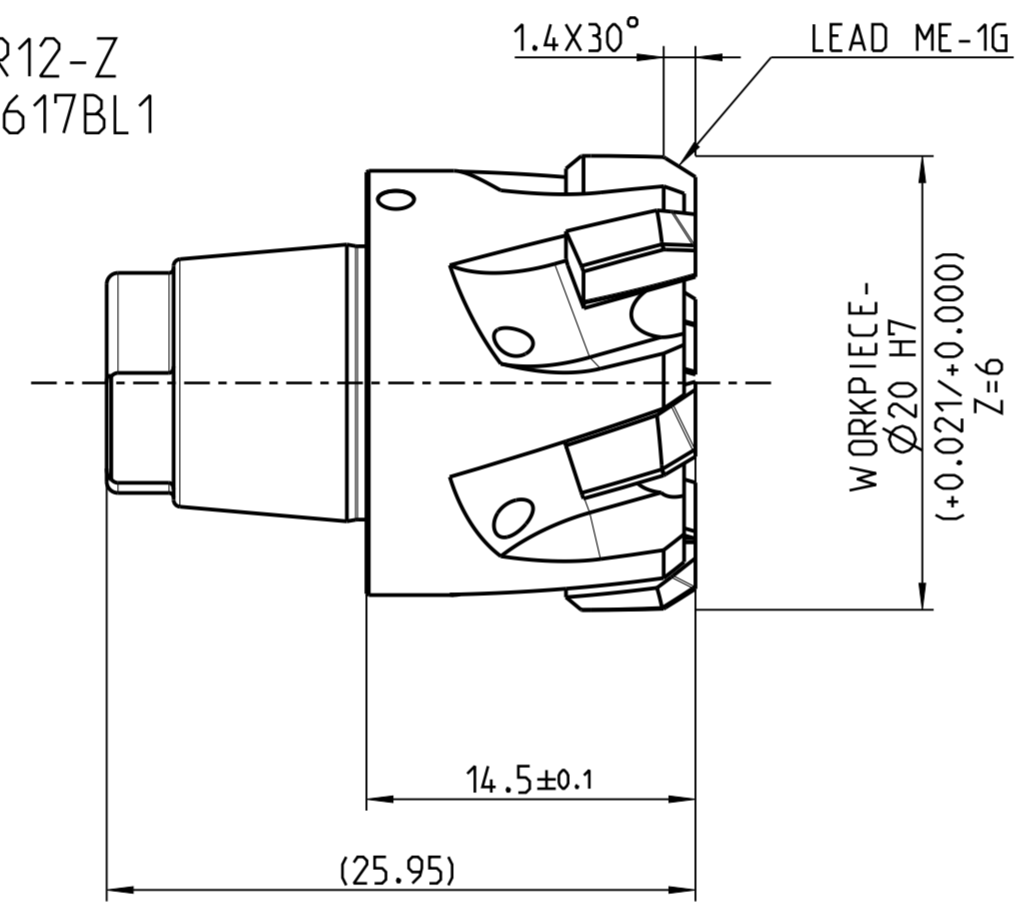
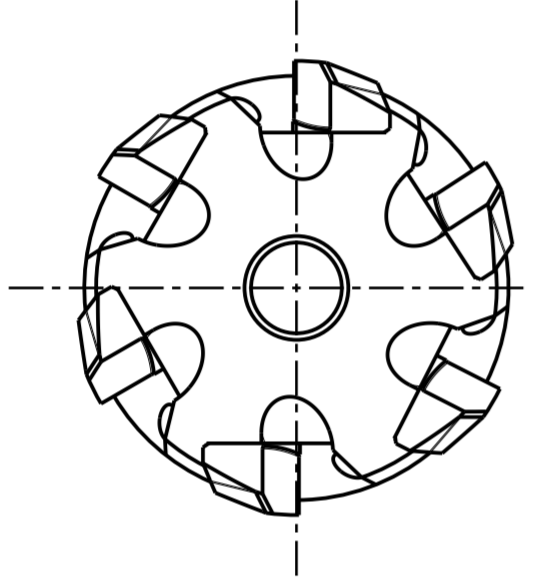


INDEX	CHANGES	DATE	NAME

HFS  
MN617-GR12-Z  
NACH MN617BL1



1:1

POS	TYP	MENGE	ME	MATERIALNUMMER	BENENNUNG	TECHNISCHE SPEZIFIKATION	KUNDENUMMER
MAPAL © FABRIK FUER PRAEZISIONSWERKZEUGE DR. KRESS KG				TITLE HPR REPLACEABLE HEAD REAMER. CERMET			FORMAT A2
<small>ALL RIGHTS FOR THE INVENTIONS, KNOW-HOW, TECHNICAL SOLUTIONS AND DESIGNS SHOWN ON THE DRAWING ARE ENTITLED TO MAPAL ONLY. AS FAR AS MAPAL DID NOT REGISTER PROPERTY RIGHTS HEREUPON YET, MAPAL FORMALLY RESERVES THE RIGHT FOR THE REGISTRATION OF PROPERTY RIGHTS. THE DRAWING AS WELL AS THE MATTERS SHOWN ARE STRICTLY CONFIDENTIAL. REPRODUCTIONS MAY ONLY BE MADE FOR THE PURPOSE AGREED UPON. NEITHER THIS DRAWING NOR COPIES THEREOF MAY BE MADE ACCESSIBLE TO THIRD PARTIES. WITH THE DELIVERY OF THIS DRAWING NO RIGHT TO USE IT FOR ANY PURPOSE IS GRANTED. VIOLATIONS AGAINST THE OBLIGATIONS TO SECUREY AND USE RESTRICTIONS WILL BE PROSECUTED.</small>				<b>MAPAL</b> Präzisionswerkzeuge Dr. Kress KG		DATE OF ISSUE 2025-03-24 CREATED DESIGN A	DOCUMENT 607647093-000-00-ED1 INDEX 00 MATERIAL NUMBER 30040404 ORIGIN AAD
				GENERAL TOLERANCE ISO 2768-1H SIZE ISO 14405-1	DIMENSIONS NOT SHOWN ARE MAPAL STANDARDS	SCALE 3:1	TECHNICAL SPECIFICATION HPR110Ø20H7ME1G-CU134 SHEET 1/1

MASSE  
CA. 0.031 kg